



STUDIO/FILM Double Ended

Mains voltage double ended halogen lamps mainly used in studio and film.



DXX 240V 800W



FEX 240V 2000W

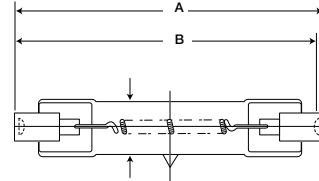


Fig. 1

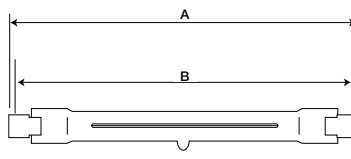


Fig. 2

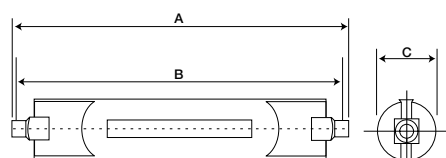


Fig. 3

FEATURES

- High constant light output
- High colour temperature

APPLICATIONS

- Electronic News Gathering (ENG)
- Studio lighting
- Film lighting
- Overhead projectors (FAD type)

Item description	ANSI	LIF	Voltage V	Watt W	Base	Dimensions			Rated Av. Life h
						A max mm	B mm	C mm	
FAD 118V 650W	FAD	P2/6	118	650	R7s	80.3	74.9	14	100
DXX 230V 800W	DXX	P2/13	230	800	R7s	80.3	74.9	14	75
DXX 240V 800W	DXX	P2/13	240	800	R7s	80.3	74.9	14	75
FDG 230V 1000W	FDG	P1/12	230	1000	R7s	127.1	121.7	12	15
JPD 230V 1000W	-	P2/35	230	1000	R7s	93.8	91.3	18	120
JPD 240V 1000W	-	P2/35	240	1000	R7s	93.8	91.3	18	120
EME 230V 800W	EME	P2/11	230	800	R7s	119.6	114.2	12	150
FEX 230V 2000W	FEX	P2/27	230	2000	RX7s	141.5	138.1	27	300
FEX 240V 2000W	FEX	P2/27	240	2000	RX7s	141.5	138.1	27	300

Item description	Filament Type	Lumen Output Lm	Colour Temp. K	Burning Position	Max. Permissible pinch temp. C°	Figure Nr.	Packing Quantity	Ordering Code
FAD 118V 650W	CC-8	16500	3200	P4	400	1	50	0061371
DXX 230V 800W	CC-8	20000	3200	P15	400	1	50	0061320
DXX 240V 800W	CC-8	20000	3200	P15	400	1	50	0061321
FDG 230V 1000W	CC-8	31000	3400	ANY	450	2	10	0061379
JPD 230V 1000W	CC-8	26000	3200	P15	400	1	50	0061326
JPD 240V 1000W	CC-8	26000	3200	P15	400	1	50	0061327
EME 230V 800W	CC-8	20000	3200	PIS	400	2	10	9060822
FEX 230V 2000W	CC-8	50000	3200	ANY	400	3	10	0060883
FEX 240V 2000W	CC-8	50000	3200	ANY	400	3	10	0060884

CC= Coiled Coil • SC= Single Coil