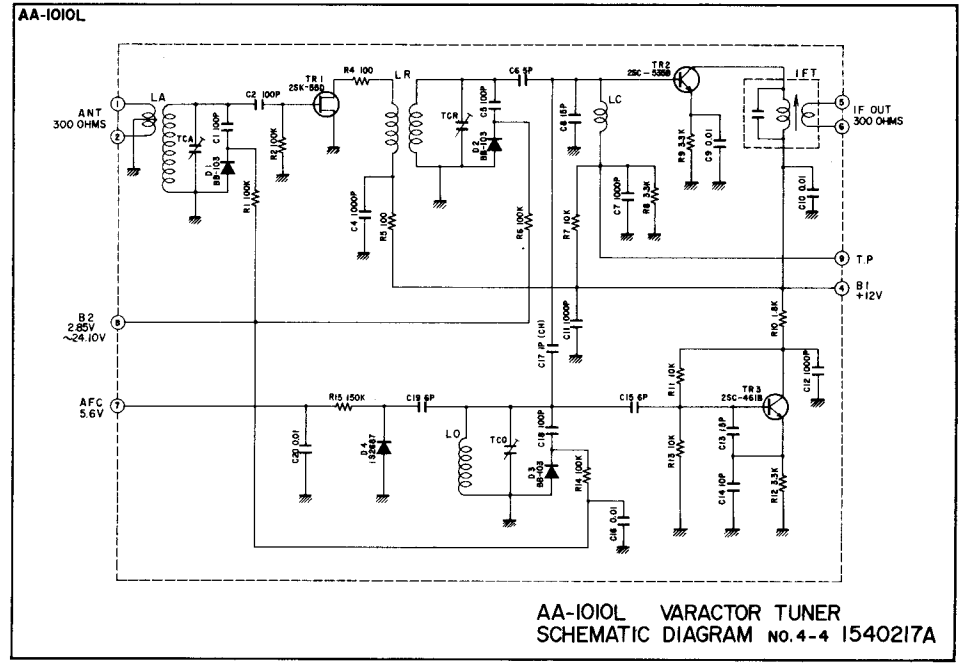


NOTE
 1. UNLESS OTHERWISE SPECIFIED
 ALL RESISTORS IN OHMS 1/4 W (J)
 ALL CAPACITORS IN μ F 50WV (J)
 2. TR6 AND TR7 LOCATED ON HEAT SINK BLOCK

AA-101OL MAIN AMP
 SCHEMATIC DIAGRAM
 NO. 4-3 1540216A



AA-101OL VARACTOR TUNER
 SCHEMATIC DIAGRAM NO. 4-4 1540217A