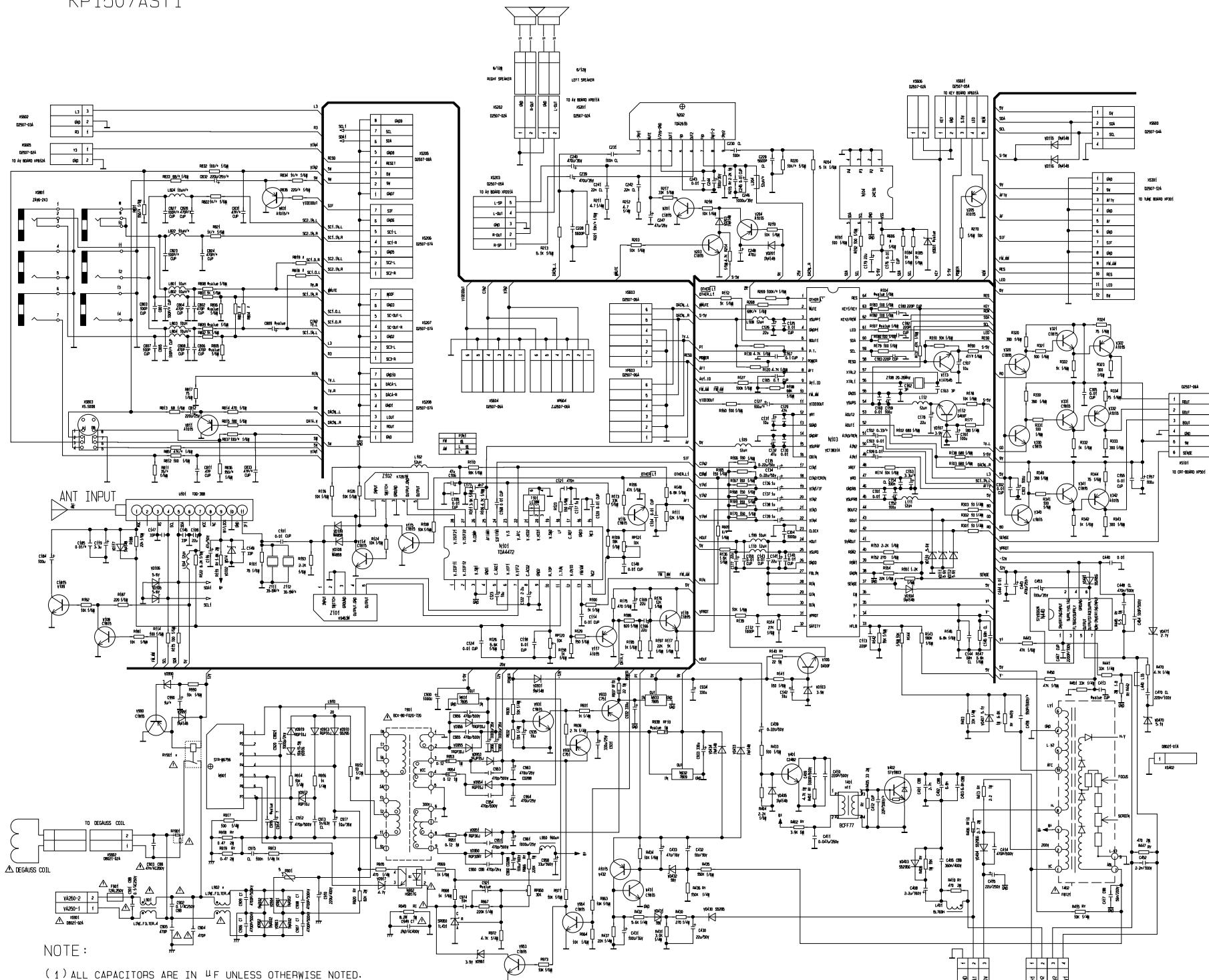


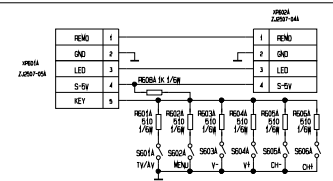
KP1507AST1



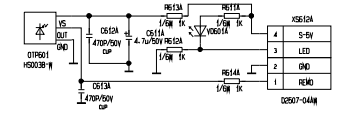
NOTE :

- (1) ALL CAPACITORS ARE IN μF UNLESS OTHERWISE NOTED.
ALL CAPACITORS ARE 50V UNLESS OTHERWISE NOTED.
- (2) CAPACITORS NOT SPECIFICALLY DESIGNATED ARE CERAMIC CAPACITORS.
- (3) ALL RESISTORS ARE IN OHM 1/6 WAT UNLESS OTHERWISE NOTED.
- (4) RESISTORS NOT SPECIFICALLY DESIGNATED ARE CARBON FILM RESISTORS.
- (5) THIS CIRCUIT DIAGRAM IS SUBJECT TO CHANGE WITHOUT PRIOR NOTICE.
(ESPECIALLY FOR CHANGING COMPONENTS WITH '*')
- (6) Δ DESIGNATES A SAFETY CRITICAL COMPONENT.

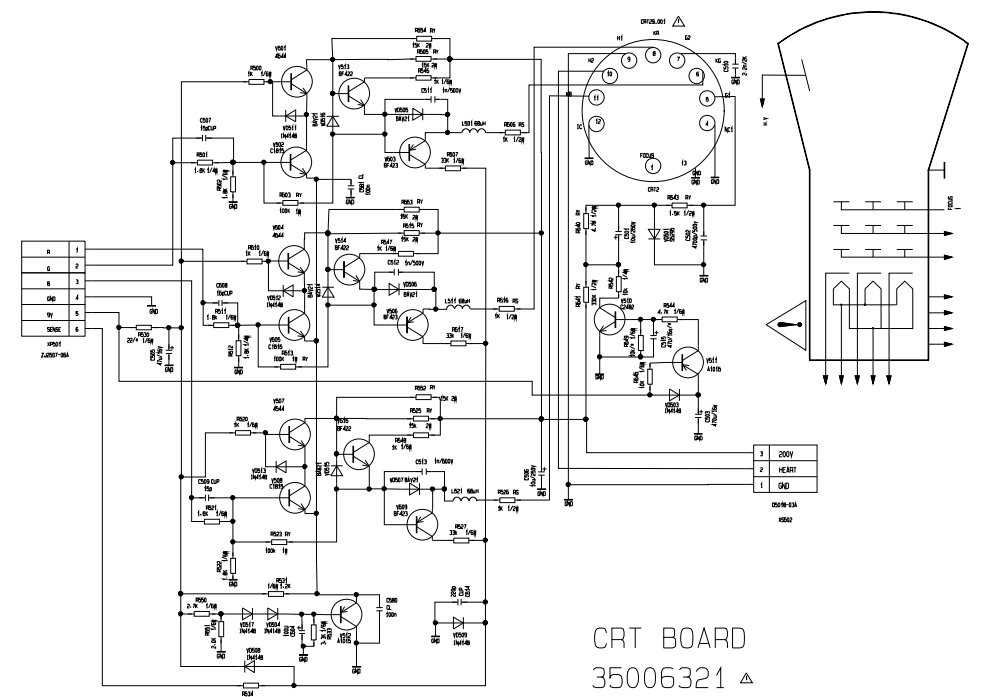
MAIN BOARD
35006955 Δ



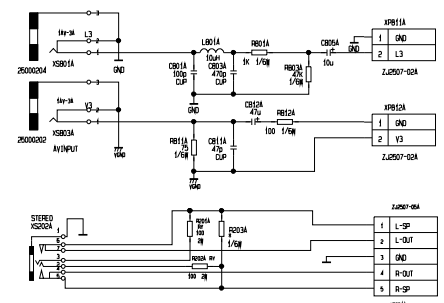
KEY BOARD
35006319



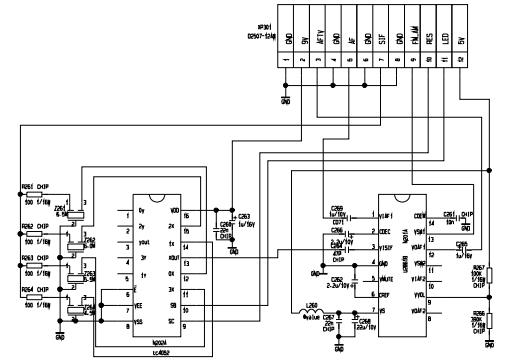
REM-rec BOARD
35006320



CRT BOARD
35006321 Δ



AV BOARD
35006322



TUNE BOARD
35006445