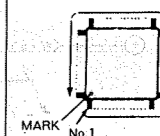
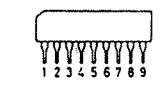
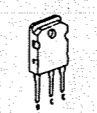
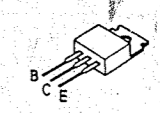
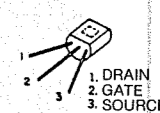
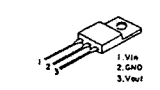
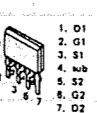


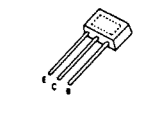

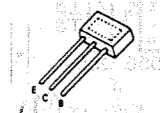
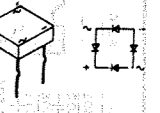
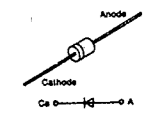

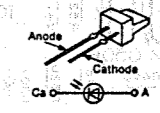


Terminal guide of transistors, diodes and IC's.

SUIPC4570C M5218P M5219P M5238P MN74HCU04 MN74HC00	DN74LS145 PCM56P-J YM3404B SUIPC4053BC MN123Z UPD7566CS044 UPD7566CS089 YM3623B TC9163N TC9164N	MN53010PEH 42pin 	AN7073 
2SA1265, 2SC3182 	2SA1535, 2SC3944 	2SK301 	AN78M05 MSF78M05L AN79N05 
2SK389 	2SA684, 2SA992 2SA1123, 2SB1036 2SC1384, 2SC1815 2SC2631, 2SD1512 	UN4211 	UN4111 
UN4215 	2SA1309, 2SC3311 2SD1450 	SVDSIOVB20F 	MA29WA, MA165 MA167, 20A90 
LN846RP-C 	ISR35200 	MA4047M, MA4082M MA4030M, MA4180M MA4240H 