



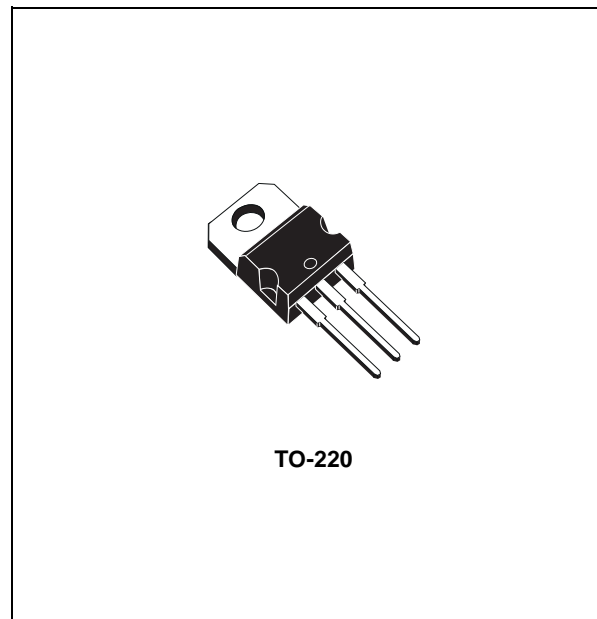
PB137

POSITIVE VOLTAGE REGULATOR FOR BATTERY CHARGER

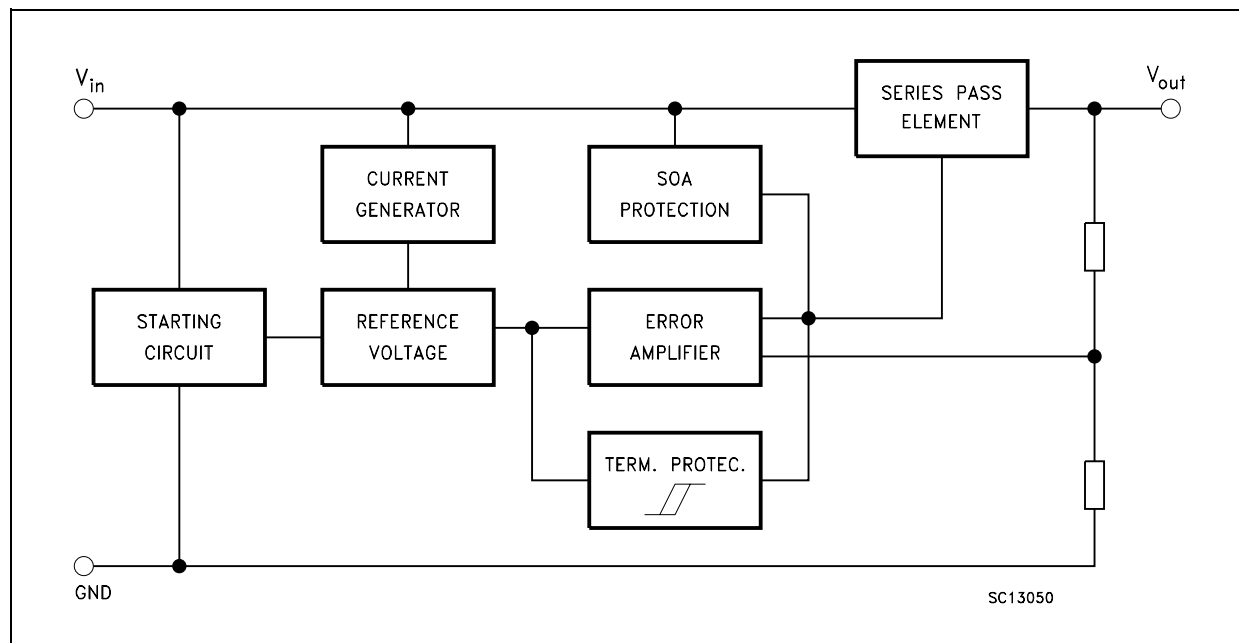
- REVERSE LEAKAGE CURRENT LESS THAN 10 μA
- THREE TERMINAL FIXED VERSION (13.7V) OUTPUT CURRENT IN EXCESS OF 1.5A
- AVAILABLE IN $\pm 1\%$ (AC) SELECTION AT 25°C
- TYPICAL DROPOUT VOLTAGE 2V
- TEMPERATURE RANGE 0°C TO 150°C

DESCRIPTION

The PB137 is a positive voltage regulator able to provide 1.5A, at $V_O = 13.7\text{V}$ and is intended as a charger for lead acid battery. The main feature is a reverse leakage current (Max 10 μA at $T_J = 0$ to 40°C $V_I = \text{floating}$ and $V_O = 13.7\text{V}$). It is available in TO-220 and it employs internal current limiting, thermal shut-down and safe area protection, making it essentially indestructible. If adequate heat-sinking is provided, they can deliver over 1A output current.



SCHEMATIC DIAGRAM



ABSOLUTE MAXIMUM RATINGS

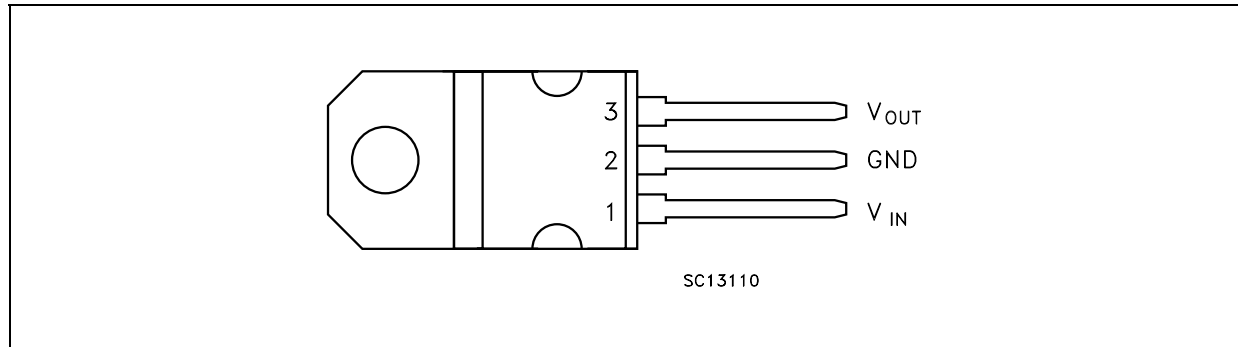
Symbol	Parameter ²	Value	Unit
V_I	DC Input Voltage	40	V
I_O	Output Current	Internally Limited	mA
P_{tot}	Power Dissipation	Internally Limited	mW
T_{stg}	Storage Temperature Range	-65 to 150	°C
T_{op}	Operating Junction Temperature Range	0 to 150	°C

Absolute Maximum Ratings are those values beyond which damage to the device may occur. Functional operation under these condition is not implied.

THERMAL DATA

Symbol	Parameter	TO-220	Unit
$R_{thj-case}$	Thermal Resistance Junction-case	3	°C/W
$R_{thj-amb}$	Thermal Resistance Junction-ambient	50	°C/W

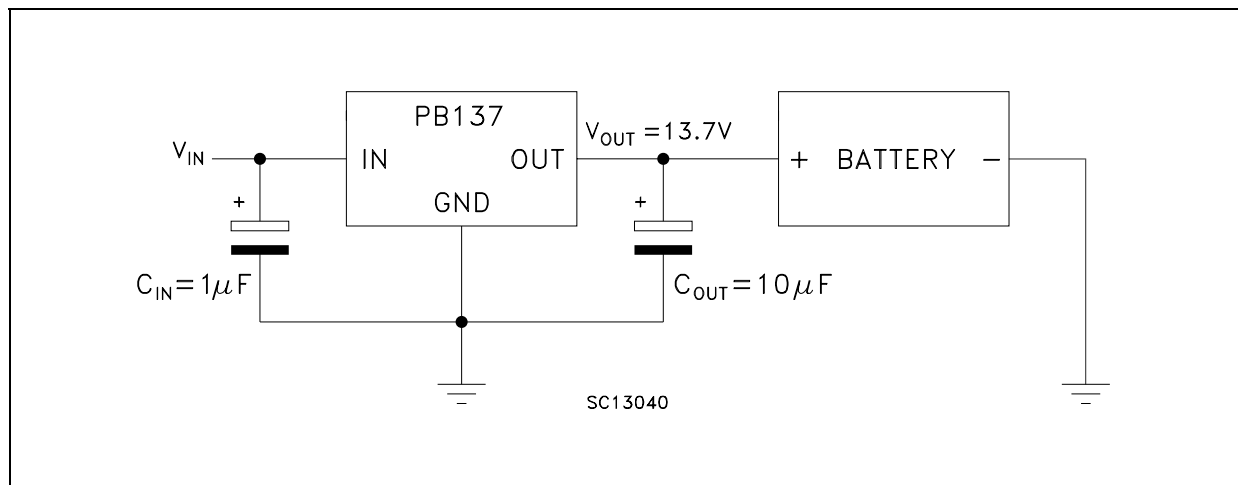
CONNECTION DIAGRAM (top view)



ORDERING CODES

TYPE	OUTPUT VOLTAGE
PB137ACV	1.5 V

APPLICATION CIRCUIT



ELECTRICAL CHARACTERISTICS OF PB137 (refer to the test circuits, $V_I = 18V$, $I_O = 500mA$, $T_J = 0$ to $150^\circ C$, $C_O = 10\mu F$ unless otherwise specified)

Symbol	Parameter	Test Conditions	Min.	Typ.	Max.	Unit
V_O	Output Voltage	$T_J = 25^\circ C$	13.56	13.7	13.84	V
			13.43	13.7	13.97	
ΔV_O	Line Regulation	$V_I = 16$ to 28.7 V, $T_J = 25^\circ C$		60	150	mV
ΔV_O	Load Regulation	$I_O = 5$ to 1500 mA, $T_J = 25^\circ C$		65	100	mV
I_d	Quiescent Current	$T_J = 25^\circ C$		4	8	mA
ΔI_d	Delta Quiescent Current vs Line	$V_I = 16$ to 28.7 V			4	mA
ΔI_d	Delta Quiescent Current vs Load	$I_O = 5$ to 1000 mA			1.2	mA
V_d	Dropout Voltage	$I_O = 1$ A $T_J = 25^\circ C$		2.1	2.6	V
I_{sc}	Short Circuit Current	$V_I - V_O = 5V$ $T_J = 25^\circ C$		2.2		A
eN	Output Noise Voltage	B = 10Hz to 10KHz, $T_J = 25^\circ C$		300		μV_{rms}
SVR	Supply Voltage Rejection	f = 120 Hz, $T_J = 25^\circ C$		58		dB
I_{REV}	Reverse Leakage Current	$V_O = 13.7$ V, $V_I =$ floating $T_J = 0$ to $40^\circ C$		0.1	10	μA
S	Long Term Stability	$T_J = 125^\circ C$ 1000Hrs			0.5	%

TYPICAL PERFORMANCE CHARACTERISTICS ($T_J = 25^\circ\text{C}$)

Figure 1 : Output Voltage vs Temperature

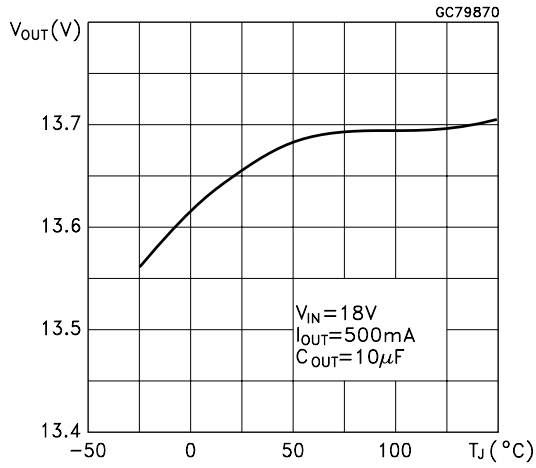


Figure 2 : Output Voltage vs Input Voltage

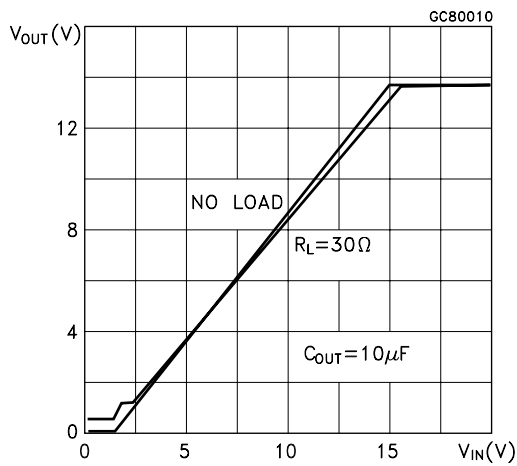


Figure 3 : Output Voltage vs Output Current

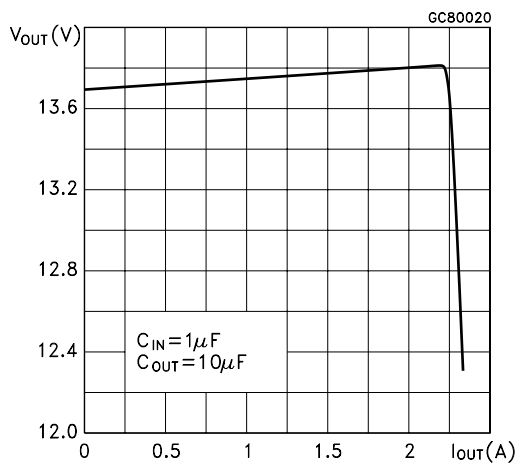


Figure 4 : Load Regulation vs Temperature

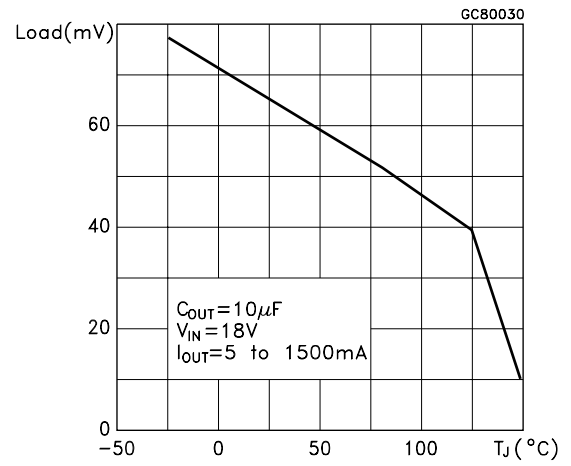


Figure 5 : Line Regulation vs Temperature

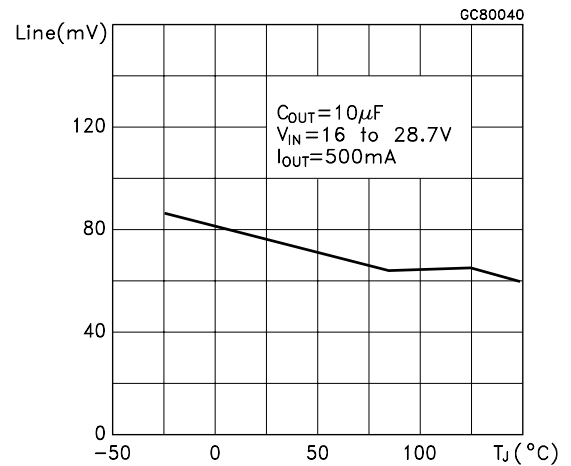


Figure 6 : Dropout Voltage vs Temperature

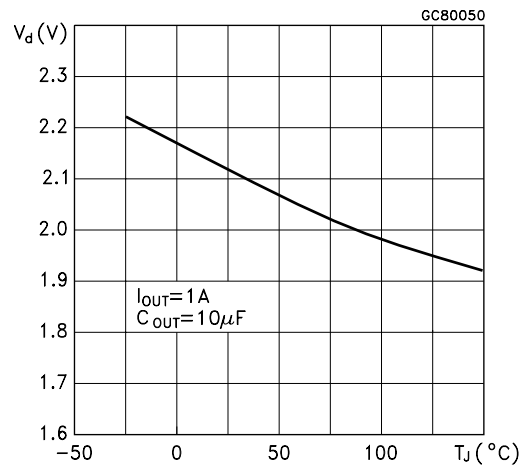


Figure 7 : Dropout Voltage vs Output Current

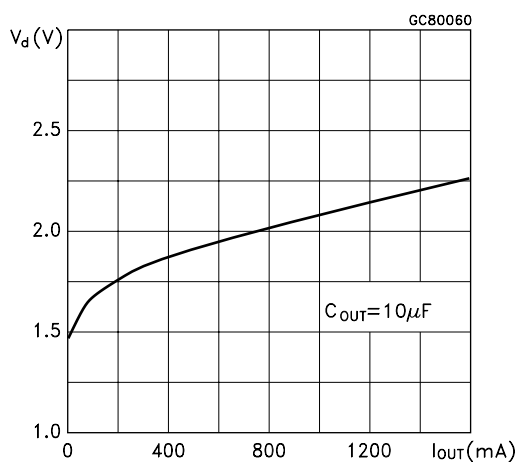


Figure 10 : Reverse Leakage Current vs Temperature

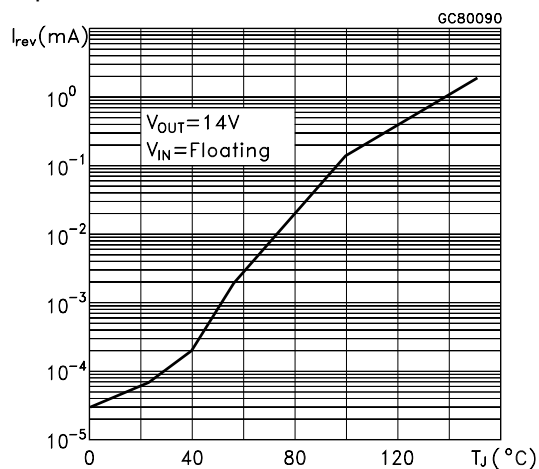


Figure 8 : Short Circuit Current vs Dropout Voltage

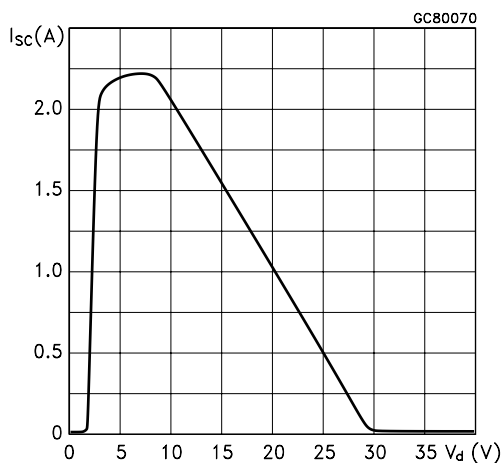


Figure 11 : Quiescent Current vs Temperature

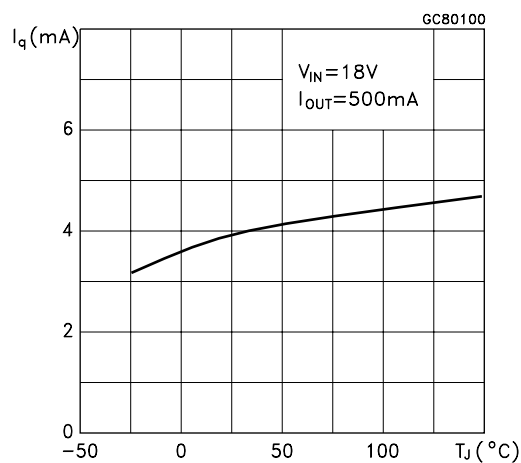


Figure 9 : Short Circuit Current vs Temperature

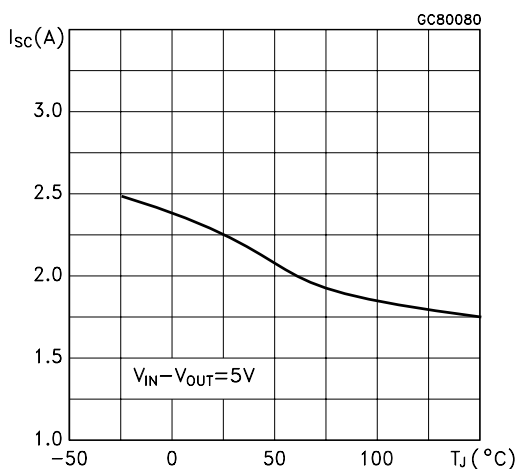


Figure 12 : Quiescent Current vs Output Current

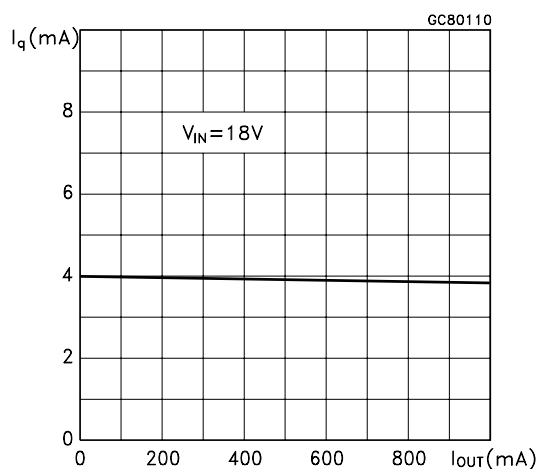


Figure 13 : Quiescent Current vs Input Voltage

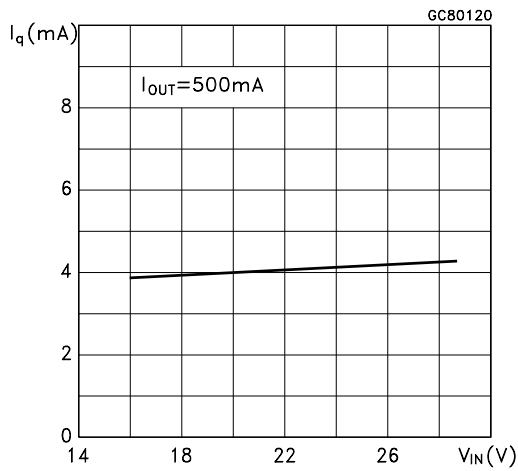


Figure 14 : Thermal Protection

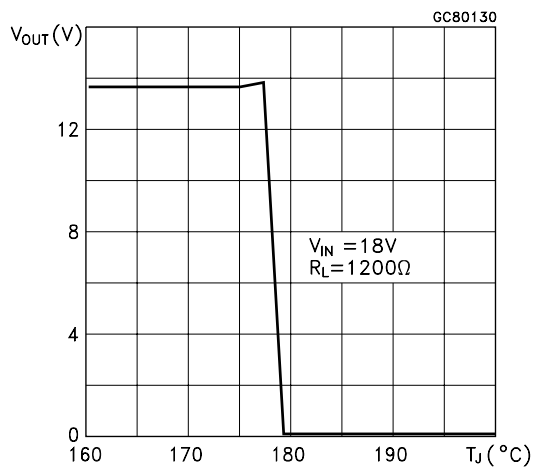


Figure 15 : Supply Voltage Rejection vs Output Current

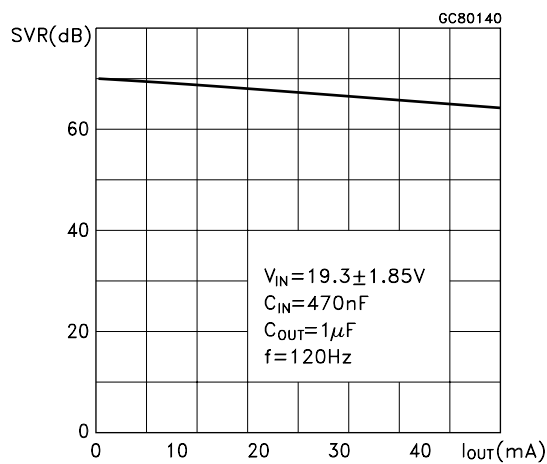


Figure 16 : Supply Voltage Rejection vs Temperature

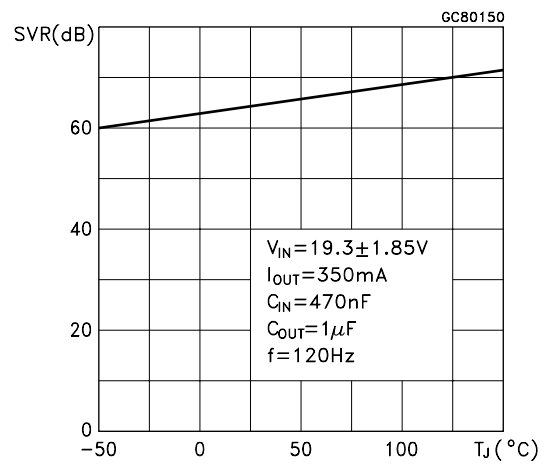


Figure 17 : Line Transient Response

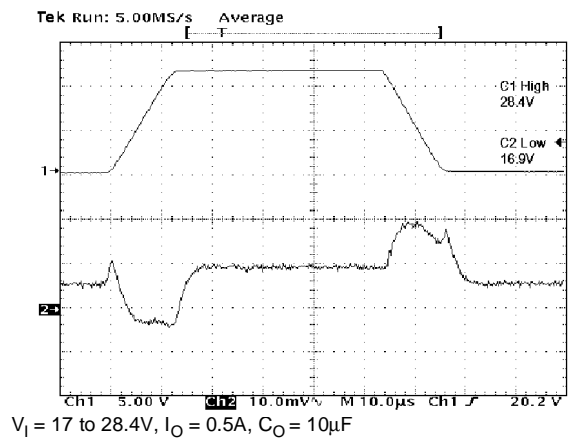
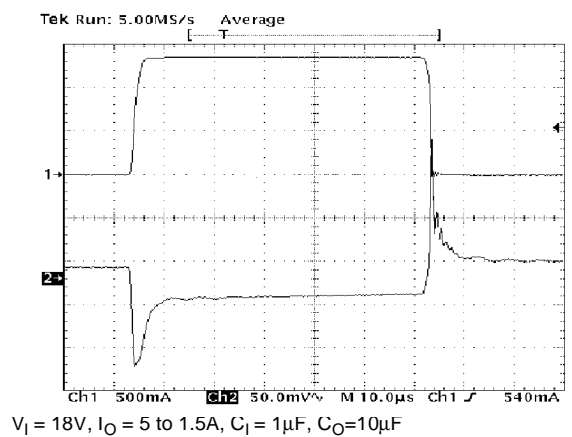
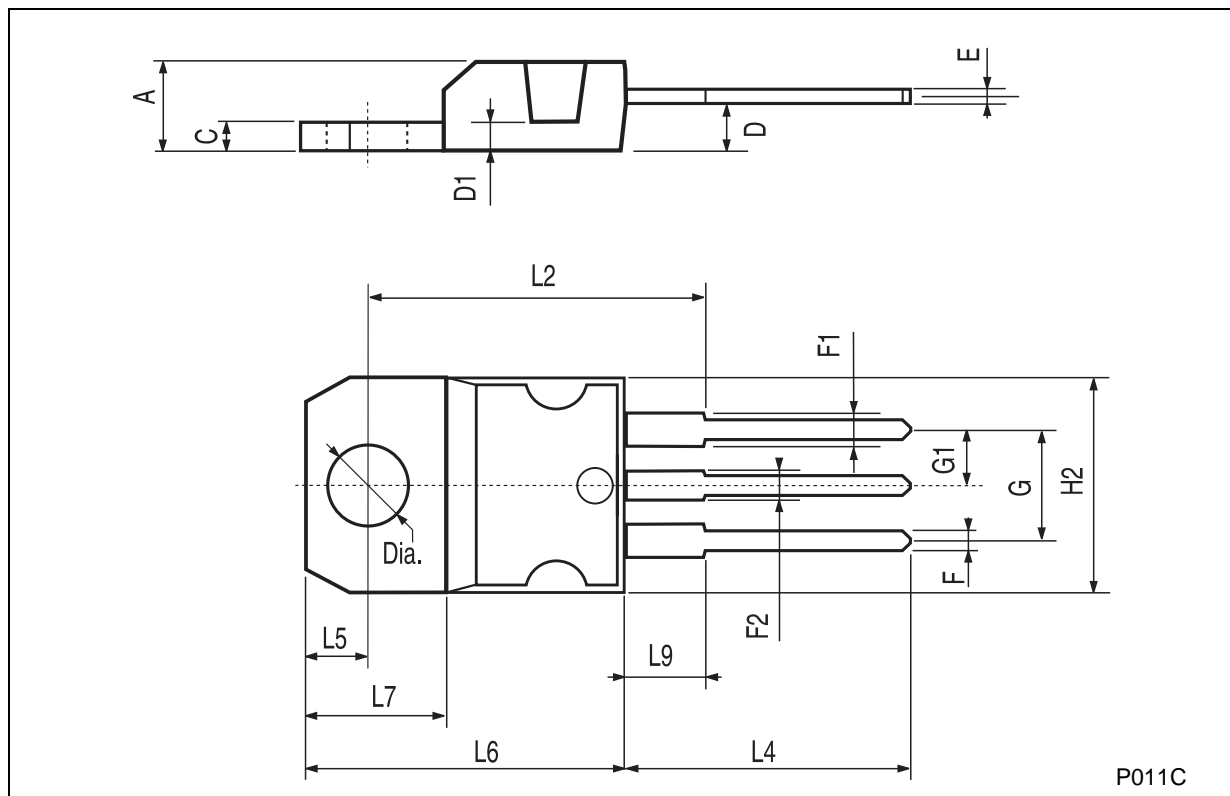


Figure 18 : Load Transient Response



TO-220 MECHANICAL DATA

DIM.	mm.			inch		
	MIN.	TYP.	MAX.	MIN.	TYP.	MAX.
A	4.40		4.60	0.173		0.181
C	1.23		1.32	0.048		0.051
D	2.40		2.72	0.094		0.107
D1		1.27			0.050	
E	0.49		0.70	0.019		0.027
F	0.61		0.88	0.024		0.034
F1	1.14		1.70	0.044		0.067
F2	1.14		1.70	0.044		0.067
G	4.95		5.15	0.194		0.203
G1	2.4		2.7	0.094		0.106
H2	10.0		10.40	0.393		0.409
L2		16.4			0.645	
L4	13.0		14.0	0.511		0.551
L5	2.65		2.95	0.104		0.116
L6	15.25		15.75	0.600		0.620
L7	6.2		6.6	0.244		0.260
L9	3.5		3.93	0.137		0.154
DIA.	3.75		3.85	0.147		0.151



Information furnished is believed to be accurate and reliable. However, STMicroelectronics assumes no responsibility for the consequences of use of such information nor for any infringement of patents or other rights of third parties which may result from its use. No license is granted by implication or otherwise under any patent or patent rights of STMicroelectronics. Specifications mentioned in this publication are subject to change without notice. This publication supersedes and replaces all information previously supplied. STMicroelectronics products are not authorized for use as critical components in life support devices or systems without express written approval of STMicroelectronics.

© The ST logo is a registered trademark of STMicroelectronics

© 2003 STMicroelectronics - Printed in Italy - All Rights Reserved
STMicroelectronics GROUP OF COMPANIES

Australia - Brazil - Canada - China - Finland - France - Germany - Hong Kong - India - Israel - Italy - Japan - Malaysia - Malta - Morocco
Singapore - Spain - Sweden - Switzerland - United Kingdom - United States.

© <http://www.st.com>

This datasheet has been download from:

www.datasheetcatalog.com

Datasheets for electronics components.