

TX3 SERIES THRUMB SMALL TEMPERATURE CONTROLLER

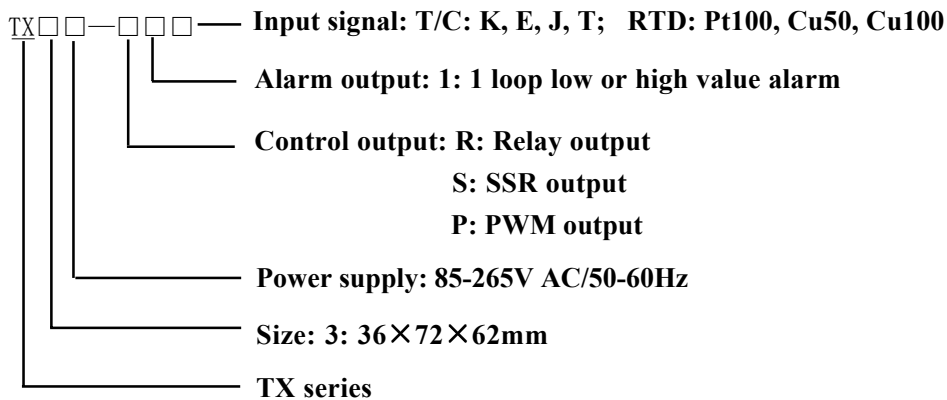


Features:

- ◎ Small case design
- ◎ T/C and RTD universal input, wide range for application.
- ◎ ON/OFF, normal PID, auto-tune PID control
- ◎ Relay, SSR, SCR output for option.
- ◎ Usage for temperature control that widely applied to chemical industrial, Mechanism, light industrial...etc.

| No | Panel | Specifications |
|----|----------|--|
| 1 | LED | Measuring value/parameter code display, display range: -199-999: |
| 2 | AL lamp | Alarm output lamp: ON/ OFF |
| 3 | OUT lamp | Control output lamp: ON /OFF |
| 4 | AT lamp | Auto-tune indication lamp: ON: auto-tune OFF: no auto-tune |
| 5 | SET key | Parameter select/set key |
| 6 | ▼ | Decrease key |
| 7 | ▲ | Increase key |
| 8 | SET+▲ | Modify and shift key |
| 9 | AT key | In the parameter setting estate, press AT key for once, to read the parameters or restore the value. In the measuring estate, press AT key for 2 seconds to enter/quit auto-tune |

1、 Ordering code



2、 Modes and Parameters

| Mode | TX3-R10 | TX3-S10 | TX3-P10 |
|----------------|---------------|---------------|---------------|
| Input signal | T/C or RTD | T/C or RTD | T/C or RTD |
| Control output | Relay | SSR | PWM |
| Alarm | Low or high | Low or high | Low or high |
| Accuracy | ± 0.5%FS | ± 0.5%FS | ± 0.5%FS |
| Power | 85-260V AC/DC | 85-260V AC/DC | 85-260V AC/DC |

3、 Specifications:

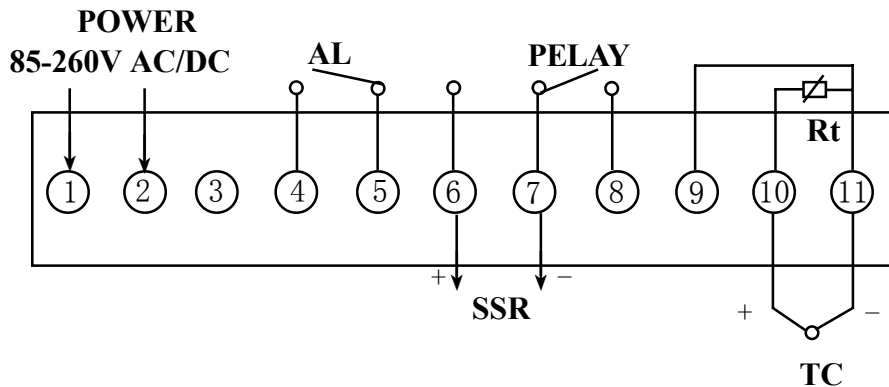
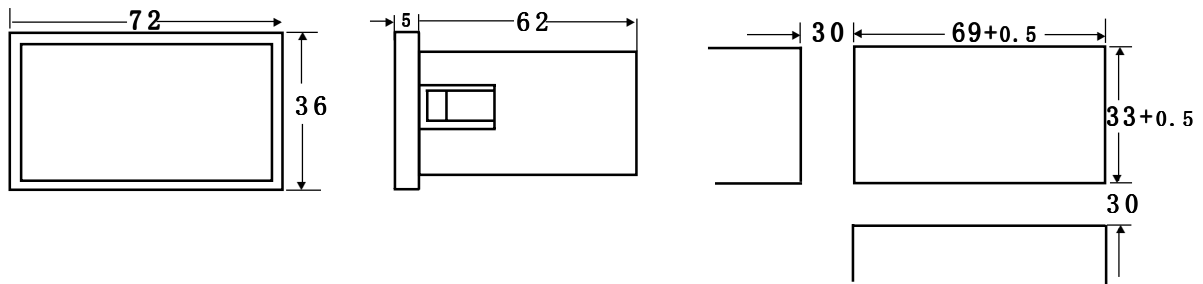
3.1 Input signals:

| Input signal | Range | Impedance | Adjust Range | |
|--------------|-----------|------------------|----------------|-----------------|
| | | | Zero | Full |
| T/C K | 0~999℃ | $\geq 2M \Omega$ | 0.00 | 50.00mV |
| T/CE | 0~999℃ | $\geq 2M \Omega$ | 0.00 | 50.00mV |
| T/C J | 0~999℃ | $\geq 2M \Omega$ | 0.00 | 50.00mV |
| T/CT | 0~400℃ | $\geq 2M \Omega$ | 0.00 | 50.00mV |
| RTD Cu50 | -50~150℃ | 0.2mA | 39.24 Ω | 82.13 Ω |
| RTD Cu100 | -50~150℃ | 0.2mA | 78.49 Ω | 164.27 Ω |
| RTD Pt100 | -199~800℃ | 0.2mA | 0.00 Ω | 313.59 Ω |

3.2 Display: 3 digit LED display, range: -199-999℃. When the temperature is -10-100 deg ℃, it remains displaying 00.0, the control setting range: -99-950℃

3.3 Control output: R: Relay; S: SSR; K: SCR; P: PWM. Selected by software.

4、 Dimensions and connections



5、 Key operation :

5.1 Press SET key for more than 3 seconds, can enter PID parameter adjust menu.

5.2 Parameter modification

A: Press SET key to select the parameter you want to modify.

B: Press SET+▲ key at the same time, the LED flashes, and the value are ready for modification.

C: Press ▲/▼ key can modify the value as you want.

D: Press SET key to confirm.

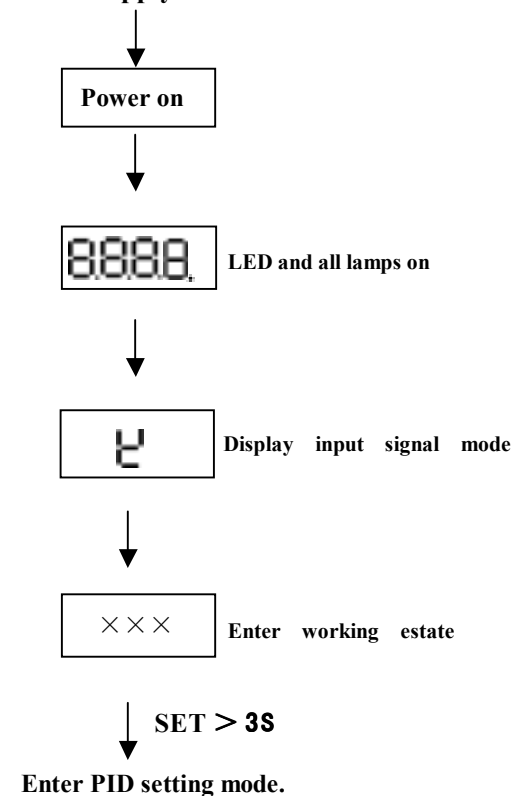
6、Control value setting and auto-turn operations:

Control value setting: In the estate of measuring, press SET key, the unit displays '!' × × × (means setting value and × × × means the code of setting value). Press SET+▲ key at the same time, LED flashes. Hold SET Key,press ▲ to shift.Press ▲/▼ key to modify the value as you want. Then press SET key to confirm.

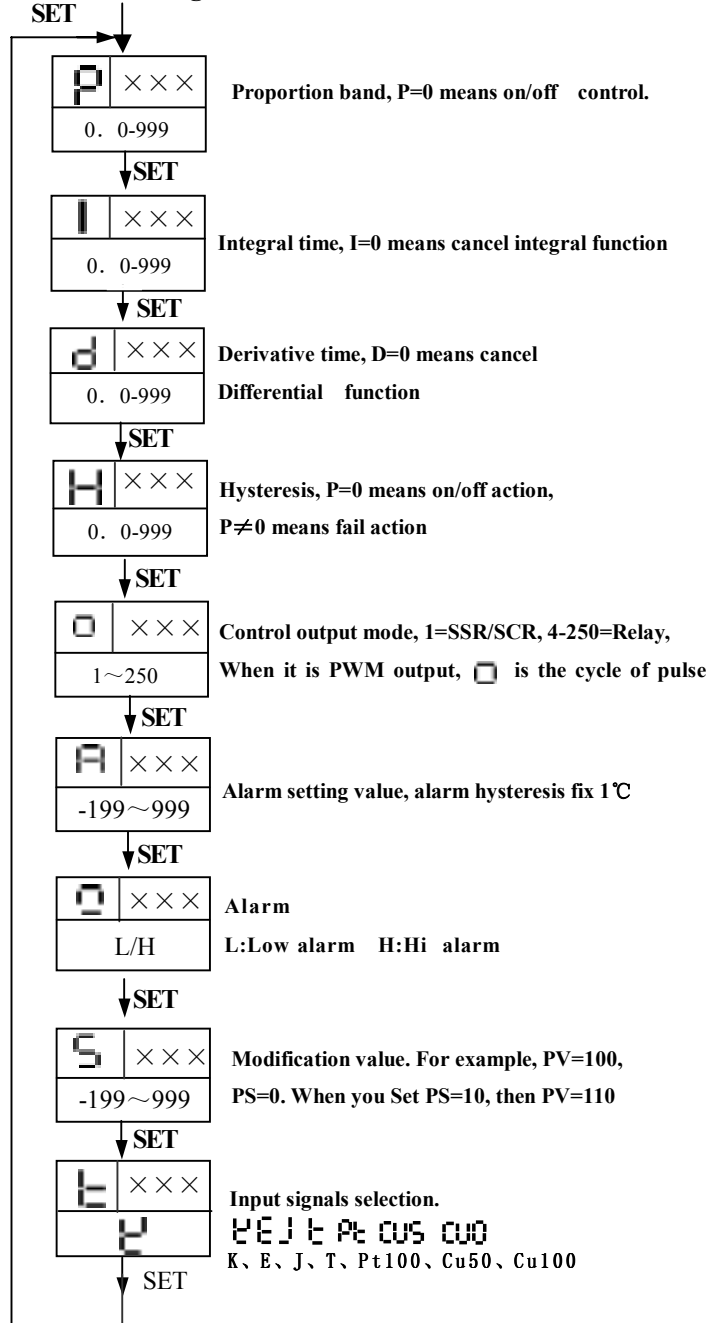
Auto-turn operations: When the system is ready for running,(in case the accuracy of the instrument can not reach your requirement and you don't know how to adjust, please let it run by itself). Parameter P=0 (PID work), press AT key for 3 seconds, AT lamp on, the instrument will begin to PID auto-turn. Please don't modify the instrument and the system at this moment. Waiting for auto-turn finished, AT lamp off. The instrument will refresh and auto turn to adjust estate. In case you want to quit during the course of auto-turn, please press AT key for 3 seconds and then AT lamp off. If necessary, the user can modify the P, I, D parameters by himself, the result would be better.

7、Operation procession

Power supply and self-examination

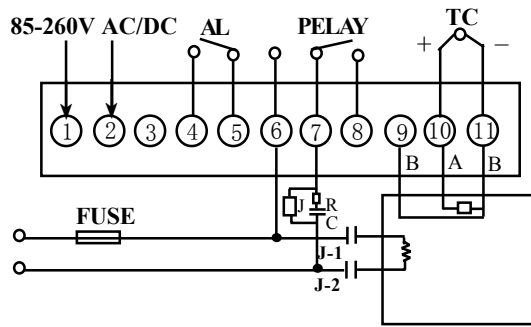


Parameter setting mode

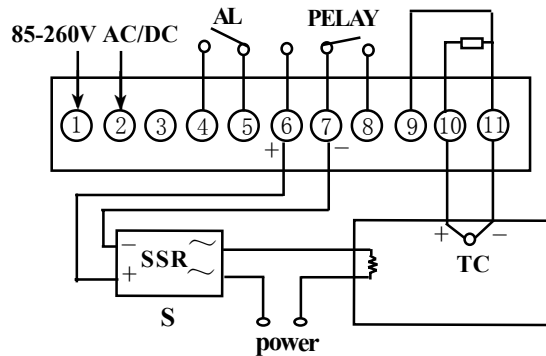


8、Examples for usage:

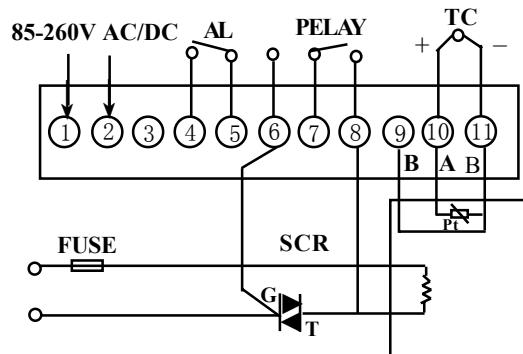
1) Relay control



2) Heating control



3) SSR connection



9、Malfunction information indicate:

| Information | Specifications | Eliminate method |
|-------------|---|--|
| □□□□ | No sensor connected or input signal lower than low SV | Check sensor connection or modify low SV |
| □□□□ | No sensor connected or input signal higher than high SV | Check sensor connection or modify high SV |
| □□□ | TC compensation off or overload | Check if connection of compensation diode is correct |

TOKY

TOKY ELECTRICAL CO.,LTD

东崎仪表
杰出品牌

Hongkong(FAX): 00852-26146109

Mainland(FAX) : 0760-2226859

(Add):NO.1 Gaosha Road Dongsheng Town Zhongshan City Guangdong Province China

http:// www . toky . com . cn

E-mail:xs@toky.com.cn