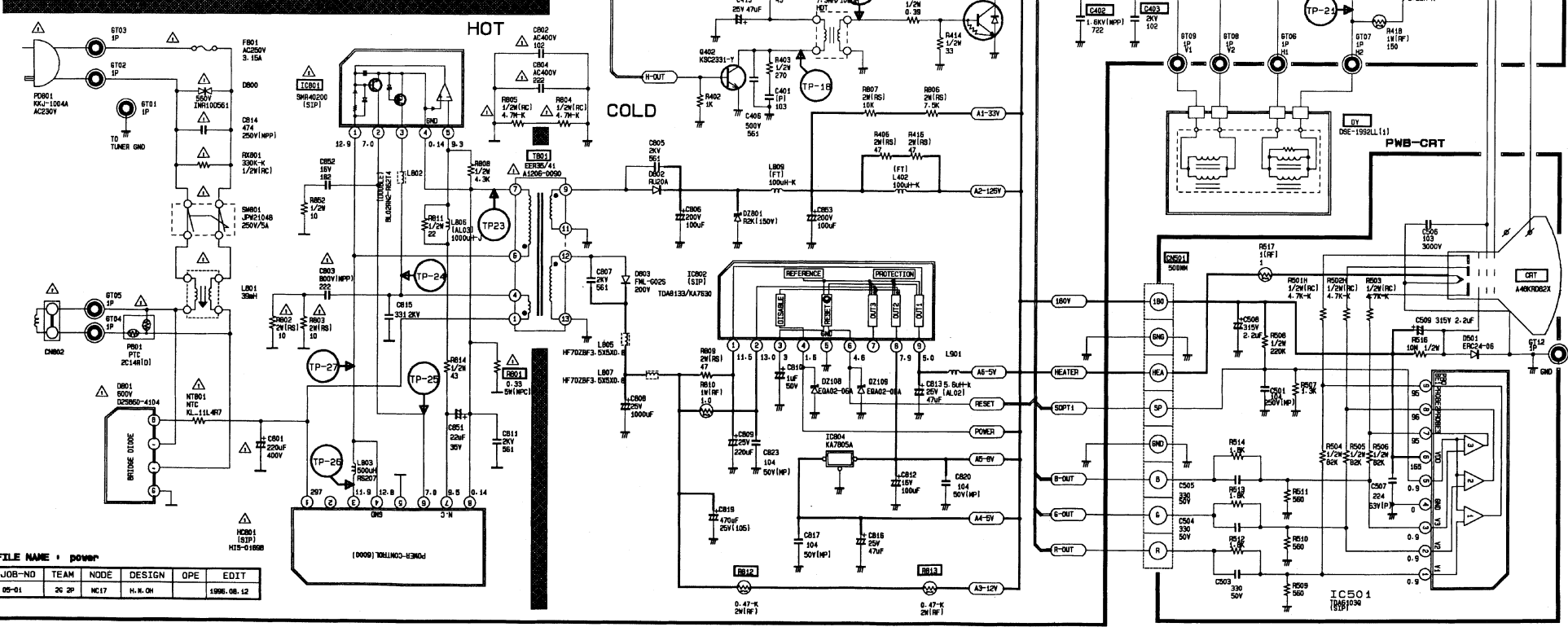


BUS-2
B+
SCHEMATIC DIAGRAM
CHASSIS: SCT11B
MODEL: CK5073Z, CK5073T
BOARD NAME: MAIN
FILE NAME: power
POWER/VERTICAL/HORIZONTAL/CRT BLOCK

INCH OPTION		FREE VOLT or 250V ONLY OPTION	
LIC-NO	141INCH	20INCH	21INCH
IC215	1/2T 5.1F	1/2T 5.5K	1/2T 5.8K
IC206	NO RT 68L	NO RT 68L	NO RT 431
IC309	1/2T 91K-F	1/2T 91K-F	1/2T 86K-F
IC407	1/2T 120K-F	1/2T 110K-F	1/2T 110K-F
IC411	1/2T 120K-F	1/2T 110K-F	1/2T 110K-F
IC417	RF 2T 1.8	RF 1T 0.47	RF 1T 0.47
IC801H	DELETE	RC 1/2T 4.7K	RC 1/2T 4.7K
IC801H	RC 1/2T 4.7K	DELETE	DELETE
IC802H	DELETE	RC 1/2T 4.7K	RC 1/2T 4.7K
IC802H	RC 1/2T 4.7K	DELETE	DELETE
IC402	CMP 1600V 63K	CMP 1600V 72Z	CMP 1600V 72Z
IC403	AC 2KV 331-K	AC 2KV 102-K	AC 2KV 561-K
IC404	CMP 400V 364	CMP 400V 434	CMP 400V 434
T444	FDC-144003	FSY-204001	FSY-204001
IC401	KS20071YD	KS20072YD	KS20072YD
IC501	B3485-B8 400M	B3485-B8 500M	B3485-B8 500M
V999	P114-S HI-B1	P125-S HI-B1	P125-S HI-B1
CRT	A34KQV42X	A4KCR082X	A51KAJ63X
D.Y	DSE-1422FL	DSE-1992L(1)	DSE-2192L(1)
C.Y	NY-225 P122-S	NY-291 P125-1	NY-291 P125-1
CR54		470 SL	470 SL

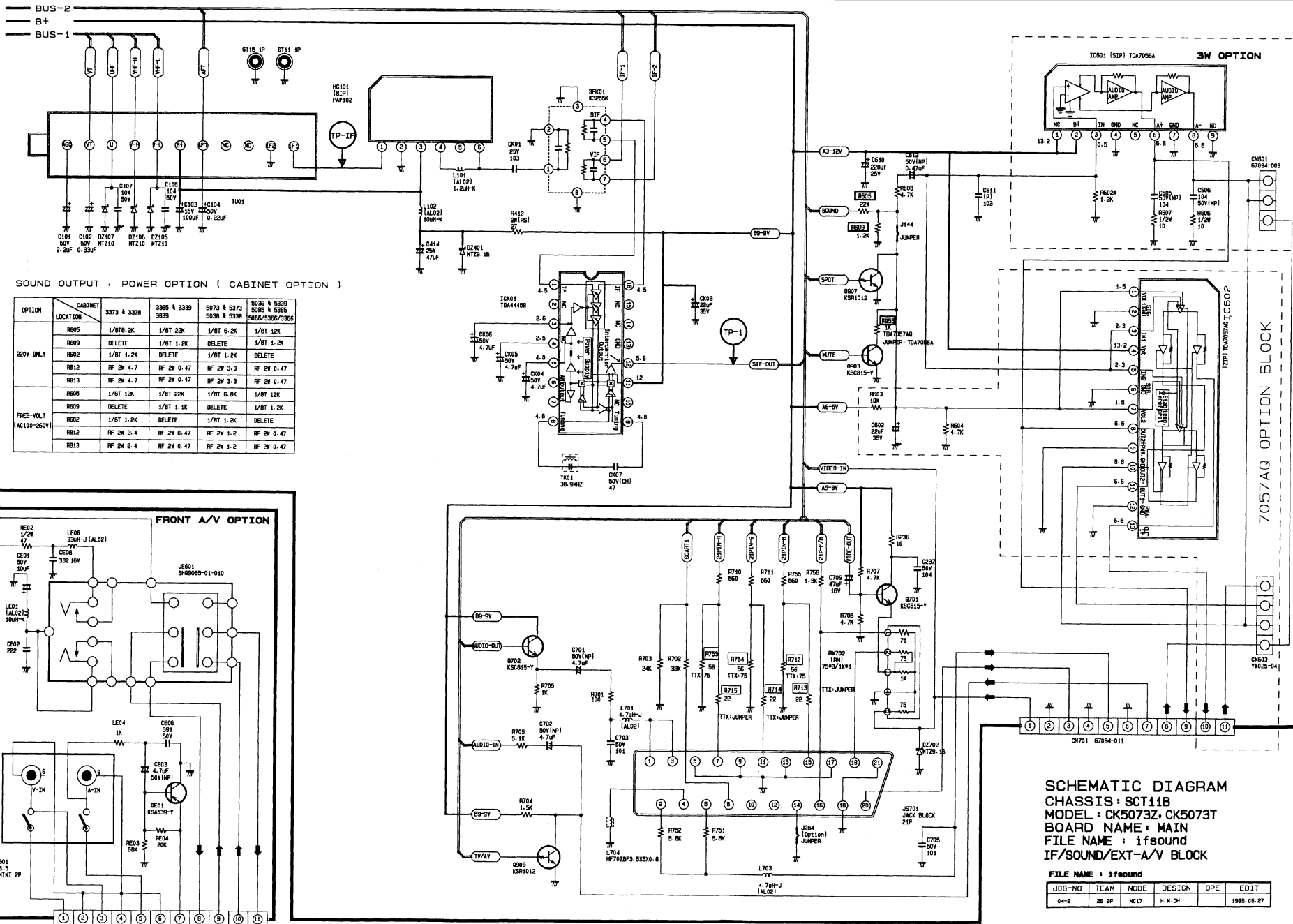
LIC-NO	FREE VOLT	225V ONLY
IC206	SM44000	SM42000
T801	A1295-0067	A1206-0090
R801	MPC 2W 0.2	MPC 2W 0.33
R808	1/2T 2.4K	1/2T 1.4.3K
H801	H150169A	H150169B

micro ELECTRONIC
Drago@jub Janjovic
microe@ptt.yu
031/512 402-514 582
www.microelectronic.co.yu



FILE NAME : power

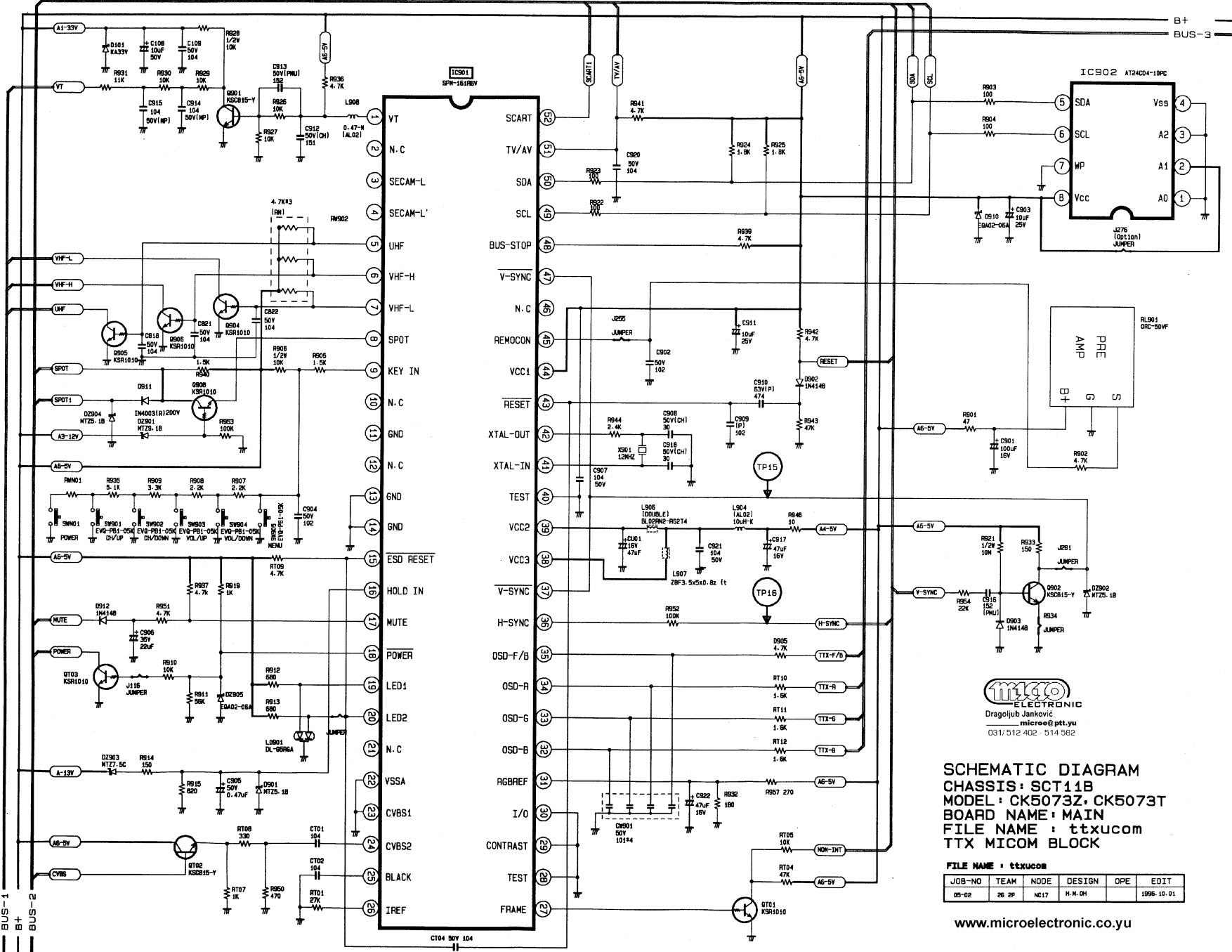
JOB-NO	TEAM	NODE	DESIGN	OPER	EDIT
05-01	2C 2P	NC17	H. N. GN		1996. 08. 12



SCHEMATIC DIAGRAM
 CHASSIS: SCT11B
 MODEL: CK5073Z, CK5073T
 BOARD NAME: MAIN
 FILE NAME: ifsound
 IF/SOUND/EXT-A/V BLOCK

FILE NAME : ifsound

JOB-NO	TEAM	NODE	DESIGN	OPR	EDIT
04-2	28 2P	NC17	H.M.OH		1996.05.27

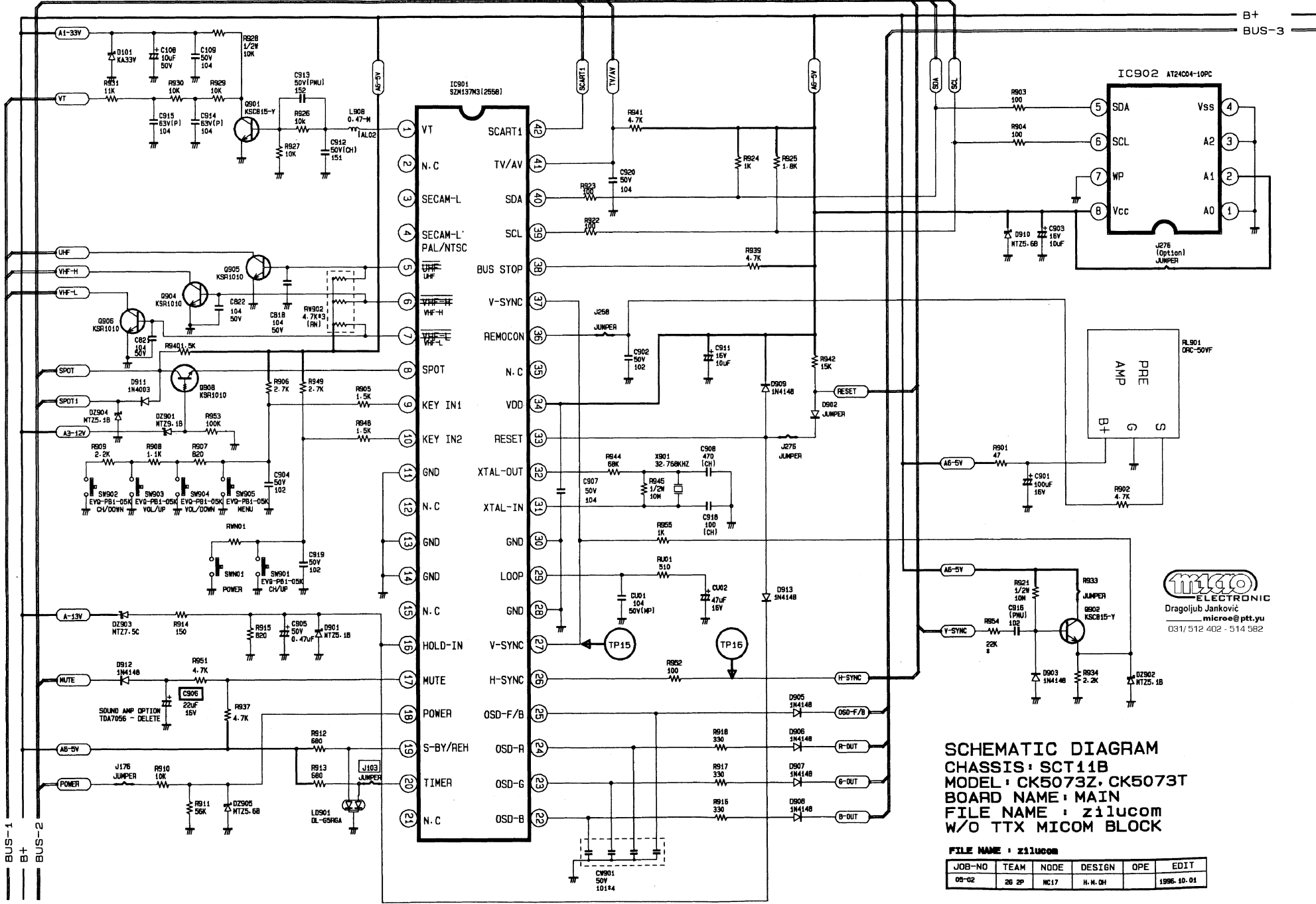


micro
ELECTRONIC
Dragoljub Janjovic
microe@ptt.yu
031/512.402-514.582

SCHEMATIC DIAGRAM
CHASSIS: SCT11B
MODEL: CK5073Z, CK5073T
BOARD NAME: MAIN
FILE NAME: ttxucom
TTX MICOM BLOCK

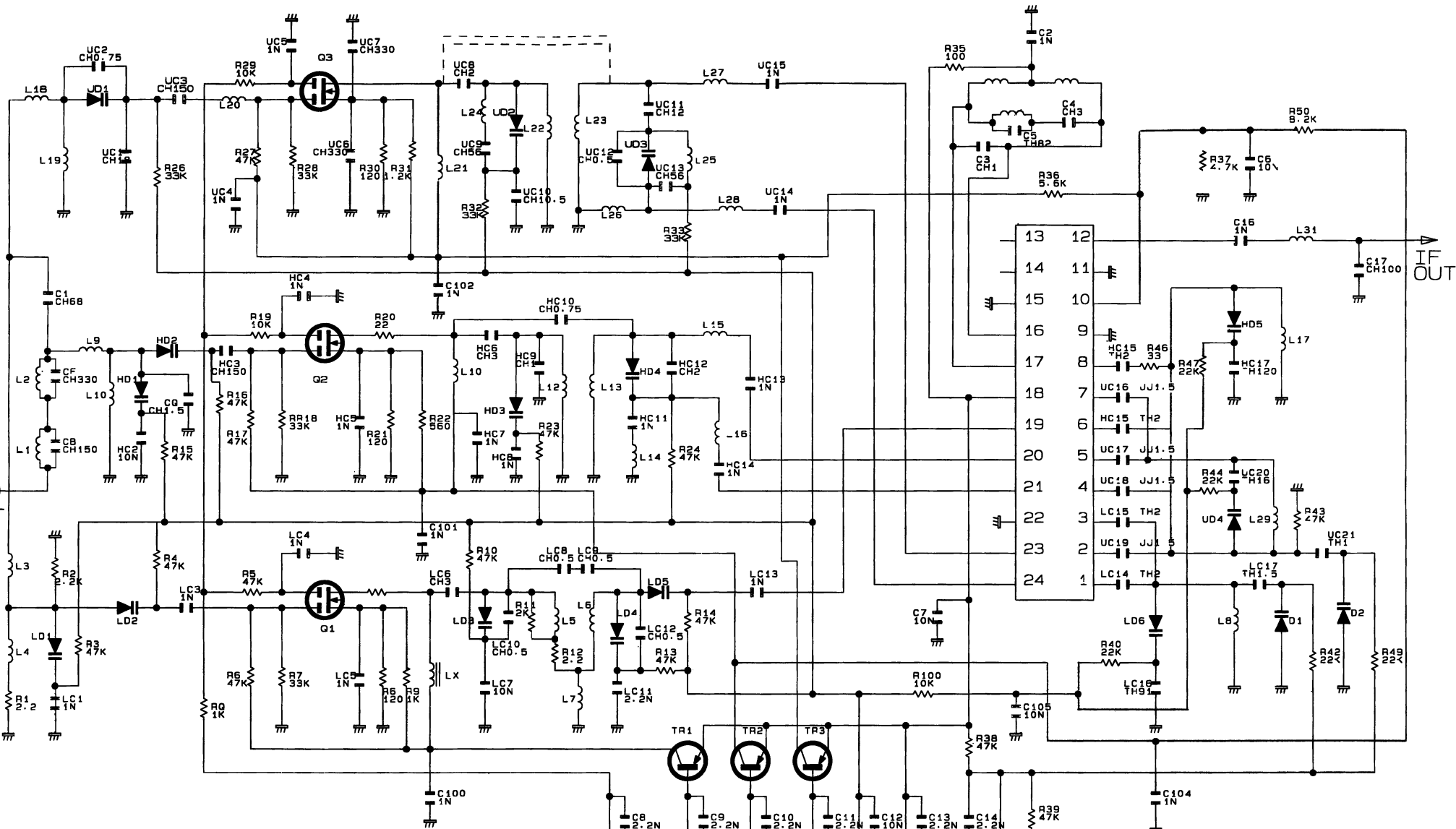
FILE NAME: ttxucom

JOB-NO	TEAM	NODE	DESIGN	OPE	EDIT
05-02	26	2P	NC17	H.N.OH	1996.10.01



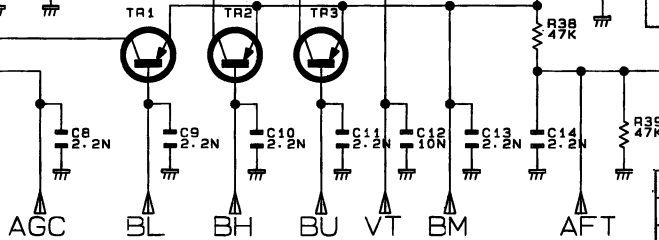
micro ELECTRONIC
 Dragoljub Janković
 micro@ptt.yu
 031/512 402 - 514 582

SCHEMATIC DIAGRAM
 CHASSIS : SCT11B
 MODEL : CK5073Z, CK5073T
 BOARD NAME : MAIN
 FILE NAME : z11ucom
 W/O TTX MICROM BLOCK



NOTES Semiconductors are as follows.

- *Q1, Q2: 6F998R
- *Q3: 35K238
- *IC: TDA5637T
- *LD1, LC3, LD4, LD6: SJ199, HVU300A
- *HD1, HD2, HD3, HD4, HD5: SD198
- *D1, D2, LD2, LD5: SD197
- *UD1, UD2, UD3, UD4: SD197
- *TR1, TR2, TR3: RN2405, TDA123JK



SIGNATURES		DATE	1994. 05. 06
DRAWN J. S. PARK		95	
CHECKED			TITLE TECC2989VD28A
ISSUED			
SIZE A3		DWG. NO.	SHEET OF