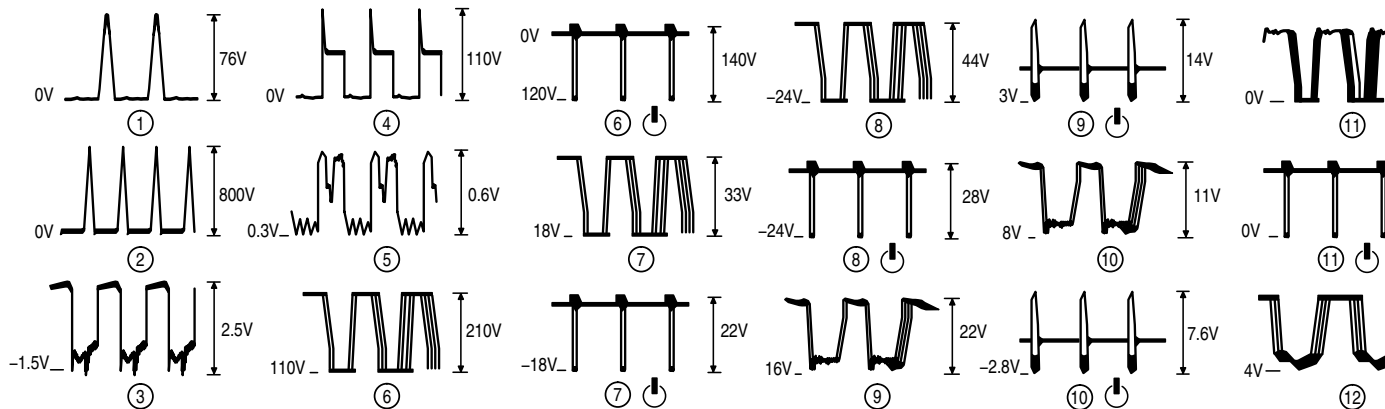
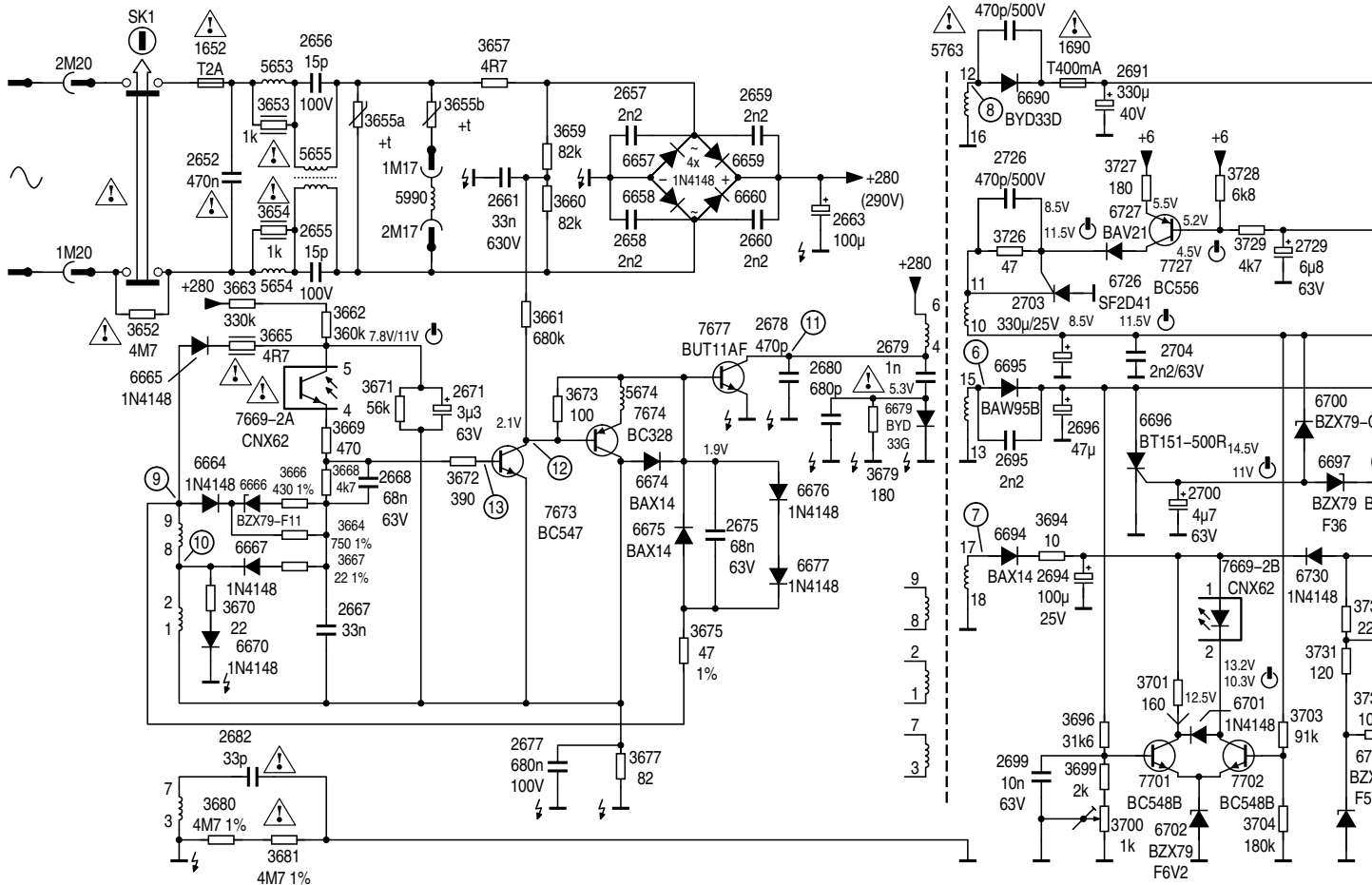
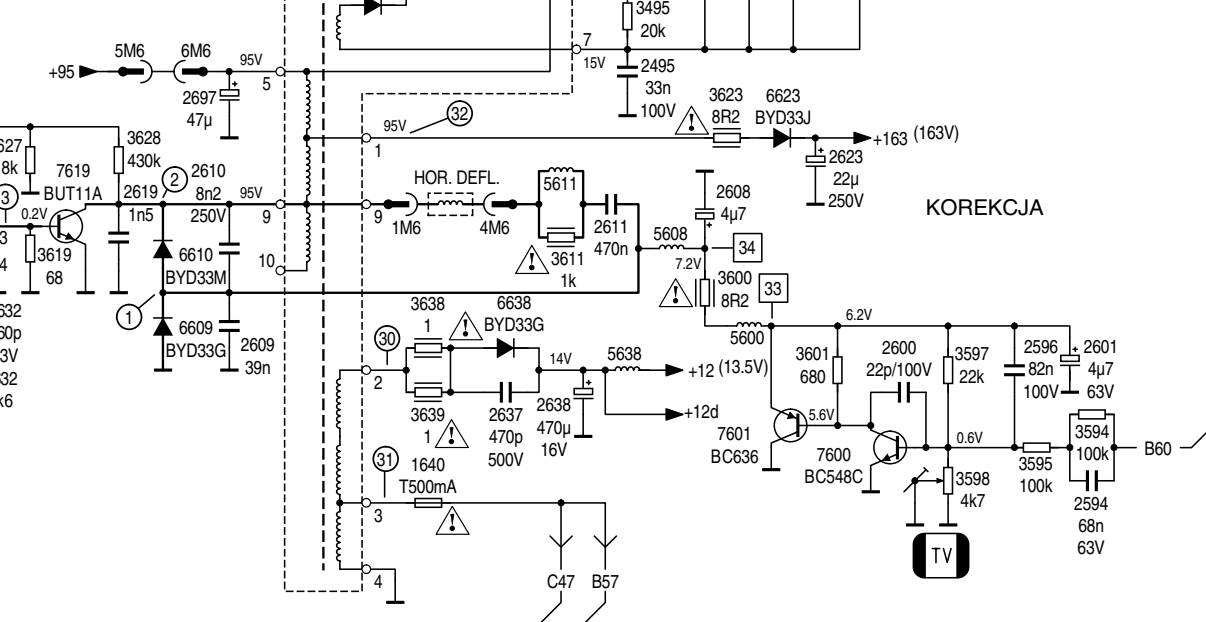


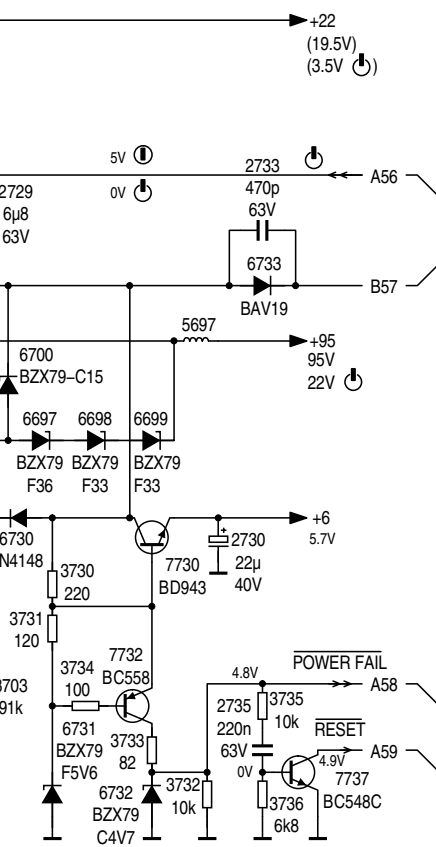
ROZMAGNESOWANIE

ZASILACZ

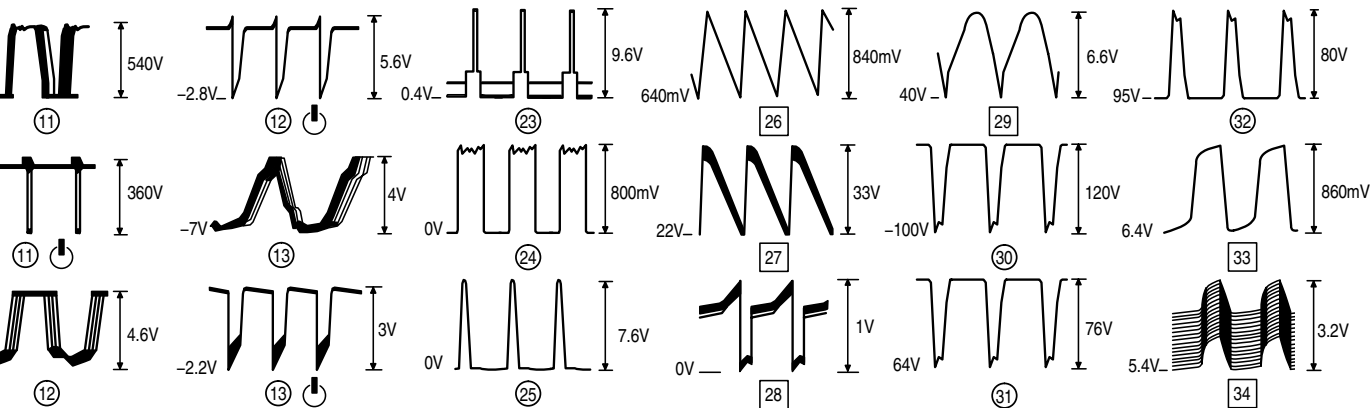
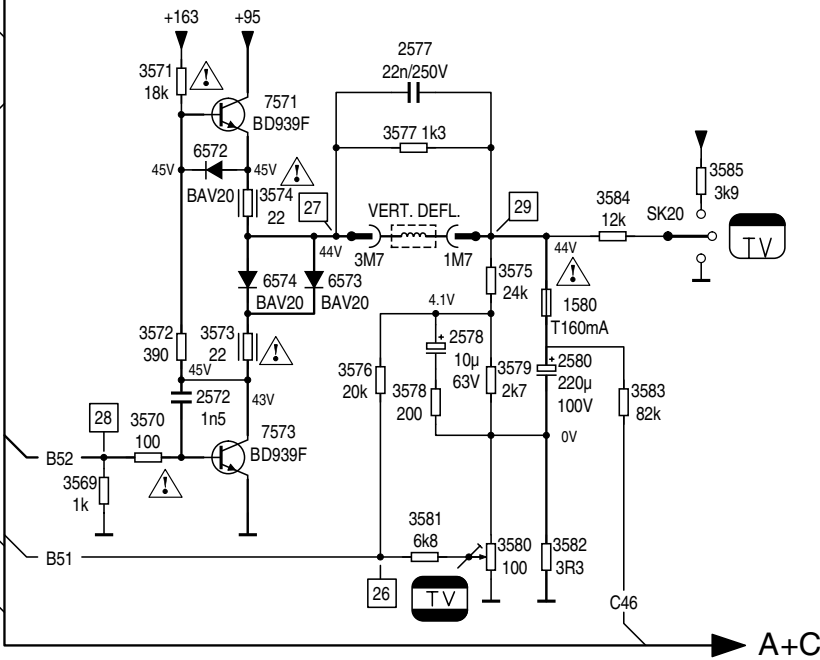


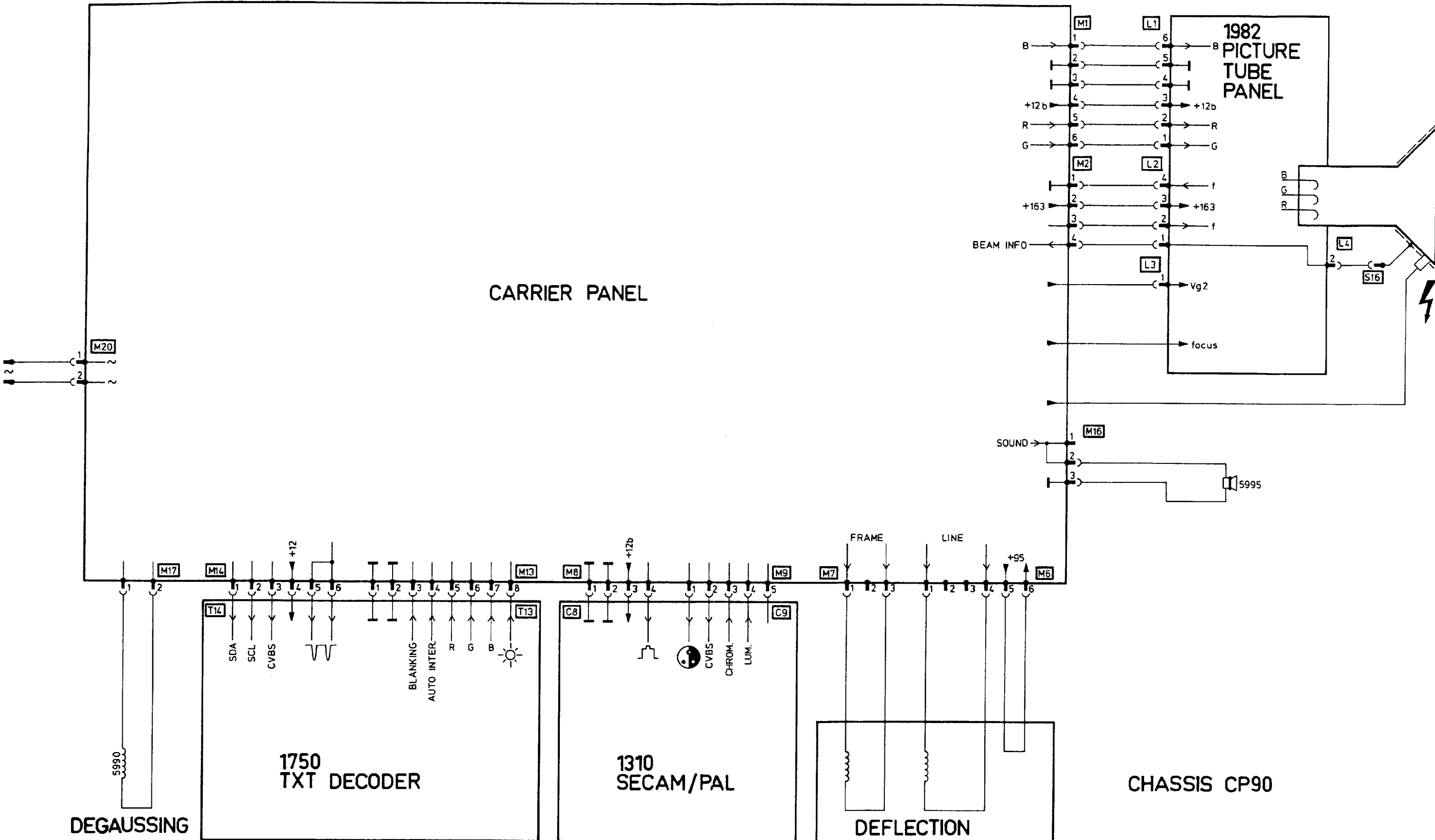


SCHEMAT B



ODCHYLANIE PIONOWE





CARRIER PANEL

1982 PICTURE TUBE PANEL

1750 TXT DECODER

1310 SECAM/PAL

DEFLECTION

CHASSIS CP90

DEGAUSSING

5995

5990

SOUND

BEAM INFO

+12b

R

G

+163

f

f

Vg2

focus

1

2

3

FRAME

LINE

1

2

3

4

5

6

+95

M5

M7

M9

M13

M14

M17

M20

L1

L2

L3

L4

S16

T13

T14

C8

C9

M8

M9

M13

M14

M17

M20

L1

L2

L3

L4

S16

T13

T14

C8

C9

M8

M9

M13

M14

M17

M20

L1

L2

L3

L4

S16

T13

T14

C8

C9

M8

M9

M13

M14

M17

M20

L1

L2

L3

L4

S16

T13

T14

C8

C9

M8

M9

M13

M14

M17

M20

L1

L2

L3

L4

S16

T13

T14

C8

C9

M8

M9

M13

M14

M17

M20

L1

L2

L3

L4

S16

T13

T14

C8

C9

M8

M9

M13

M14

M17

M20

L1

L2

L3

L4

S16

T13

T14

C8

C9

M8

M9

M13

M14

M17

M20

L1

L2

L3

L4

S16

T13

T14

C8

C9

M8

M9

M13

M14

M17

M20

L1

L2

L3

L4

S16

T13

T14

C8

C9

M8

M9

M13

M14

M17

M20

L1

L2

L3

L4

S16

T13

T14

C8

C9

M8

M9

M13

M14

M17

M20

L1

L2

L3

L4

S16

T13

T14

C8

C9

M8

M9

M13

M14

M17

M20

L1

L2

L3

L4

S16

T13

T14

C8

C9

M8

M9

M13

M14

M17

M20

L1

L2

L3

L4

S16

T13

T14

C8

C9

M8

M9

M13

M14

M17

M20

L1

L2

L3

L4

S16

T13

T14

C8

C9

M8

M9

M13

M14

M17

M20

L1

L2

L3

L4

S16

T13

T14

C8

C9

M8

M9

M13

M14

M17

M20

L1

L2

L3

L4

S16

T13

T14

C8

C9

M8

M9

M13

M14

M17

M20

L1

L2

L3

L4

S16

T13

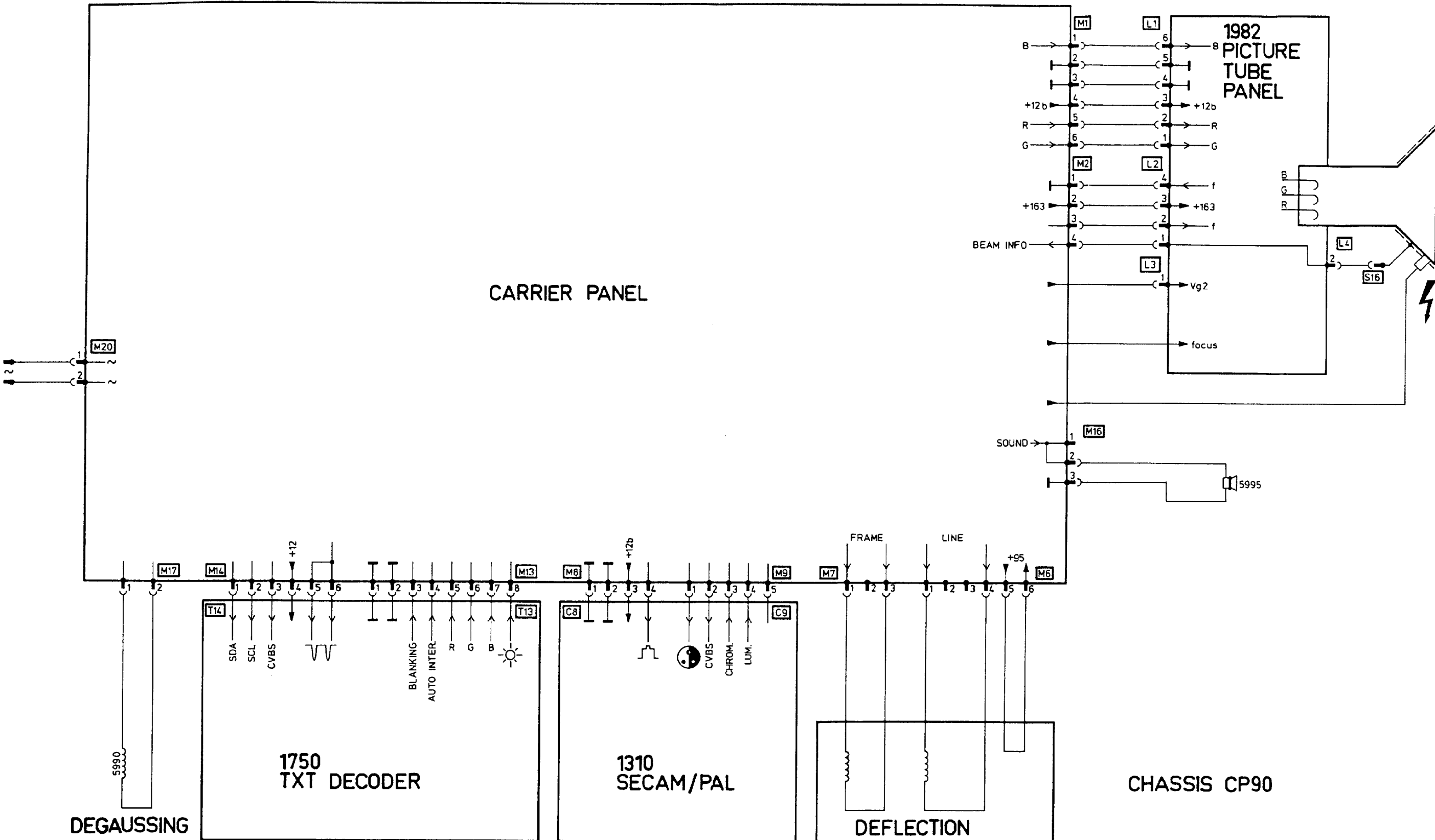


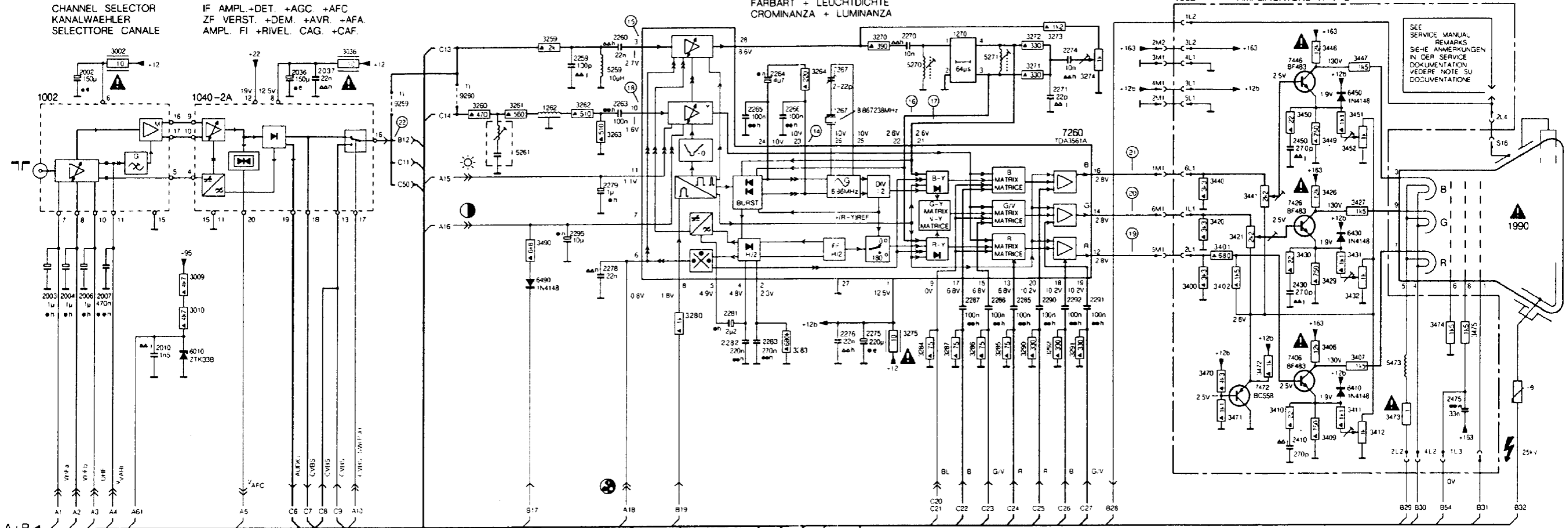
DIAGRAM-SCHALTBILD-SCHEMA C

CHANNEL SELECTOR
KANALWAHLELER
SELECTTORE CANALE

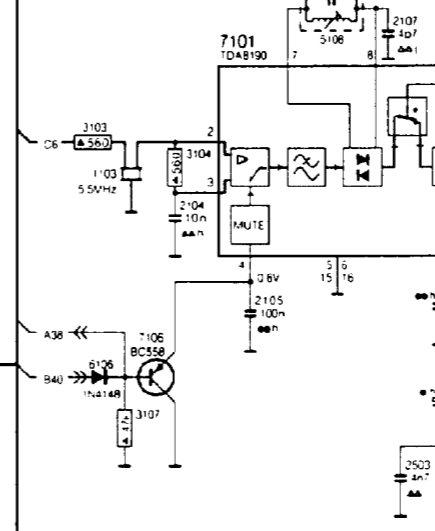
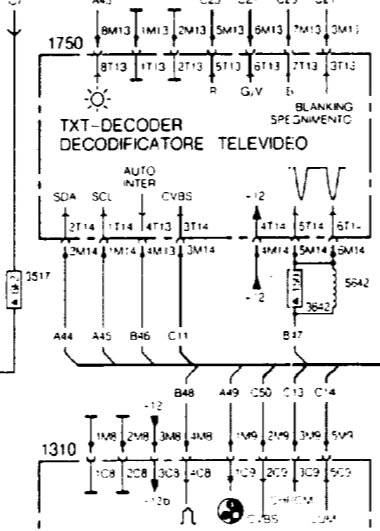
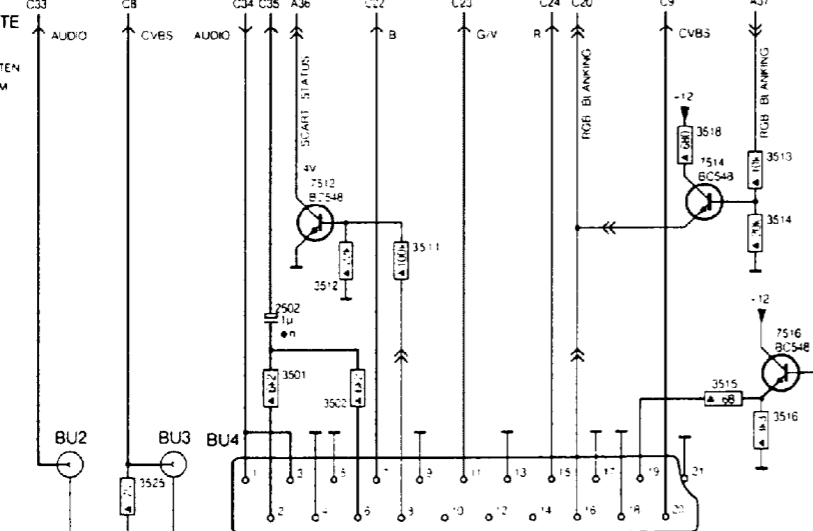
IF AMPL.+DET. +AGC +AFC
ZF VERST. +DEM. +AVR. -AFA.
AMPL. FI +RIVEL. CAG. +CAF.

CHROMINANCE + LUMINANCE
FARBART + LEUCHTDICHTE
CROMINANZA + LUMINANZA

R-G-B AMPLIFIER
R-G-B VERSTAEKER
AMPLIFICATORE R-V-B



REMARKS-ANMERKUNGEN-NOTE
1) -NOT PRESENT FOR PAL/SECAM SETS
-NICHT PRESENT IN PAL/SECAM GERAEETEN
-ASSENTE SUI MODELLI CON PAL/SECAM



DEGAUSSING SMAGNETTIZZAZIONE

SUPPLY-SPEISUNG ALIMENTAZIONE

