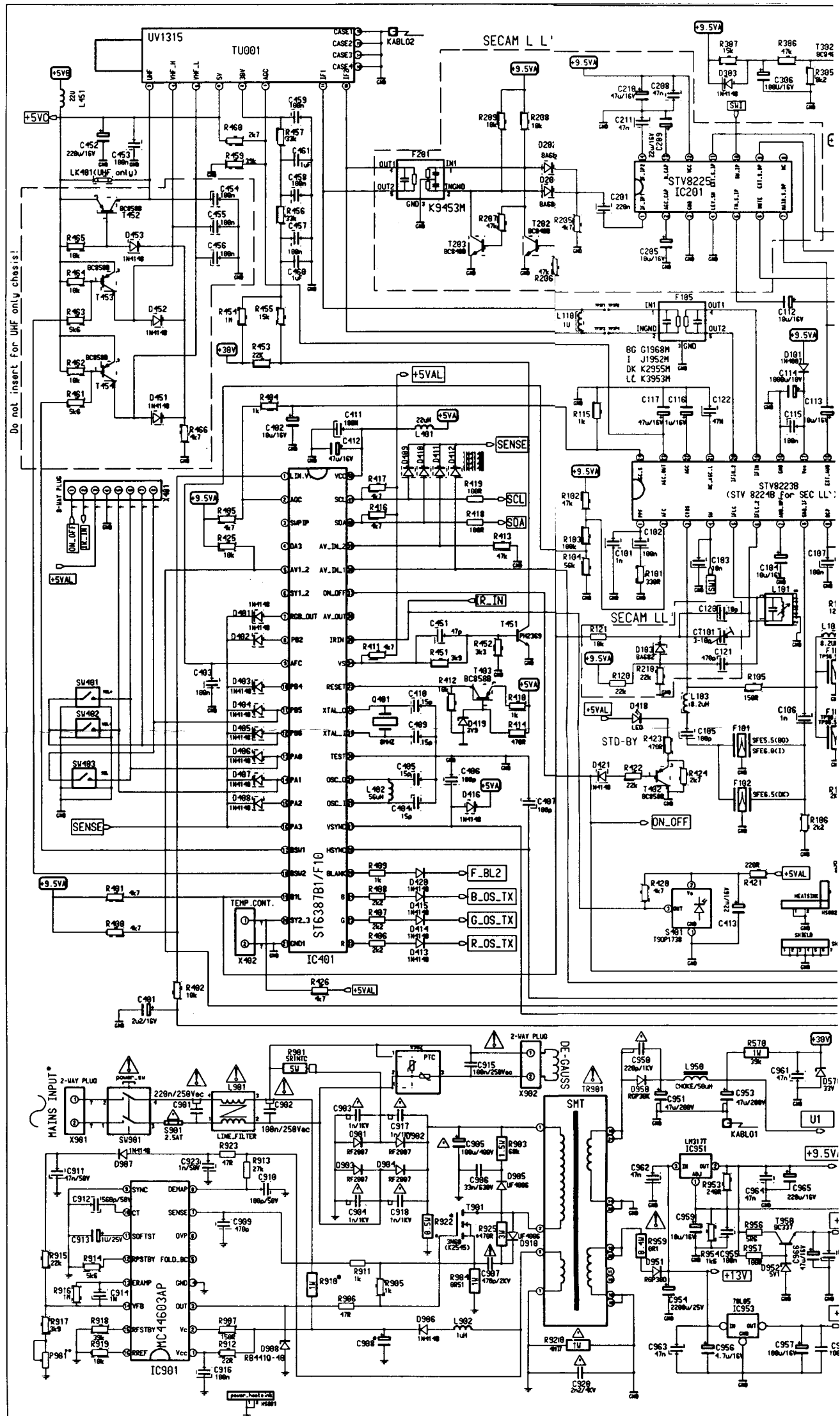


CTV CHASSIS 12.1

6 BZ 820-03

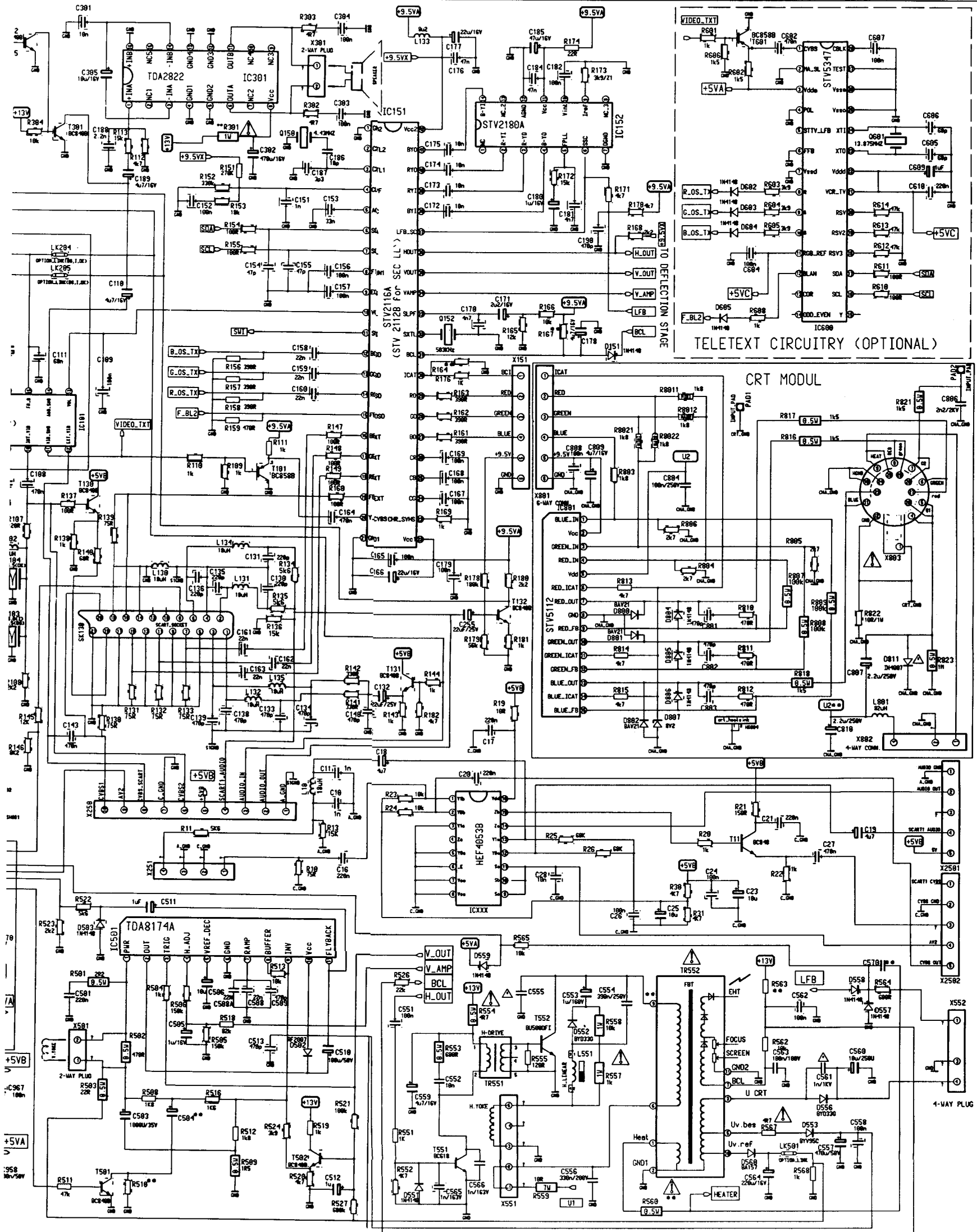


- D401: UHF ONLY TUNER
- D403: BACKGROUND FREE OSD
- D411: AV2
- D407: SEC L/L'
- OSD_LANG_ENGLISH : D404
- OSD_LANG_FRENCH : D404 and D405
- OSD_LANG_GERMAN : D405
- OSD_LANG_ITALIAN : D402

*Operat ion Range 105VAC~270VAC: R910= 47K; R922=470K; C908=68uF
 Operat ion Range 140VAC~270VAC: R910=120K; R922= - - ; C908=47uF

EMC related component:s: C130,C131,C.133,C134,C135,C136,C138,C139

Subject to change without notice



- 14* SAMSUNG CPT: U1=108V; R510=150R; R560=1R2; R563=8k2; C504=100uF; C555=6n8F; R164=47k; R167=220k; U2=185V; P901=1k5; R527=open; R301=3R3; C570=open
- 14* LG CPT: U1=104V; R510=150R; R560=1R2; R563=8k2; C504=100uF; C555=6n8F; R164=47k; R167=220k; U2=185V; P901=1k5; R527=680k; R301=3R3; C570=open
- 14* PHILIPS CPT: U1=107V; R510=150R; R560=1R2; R563=8k2; C504=100uF; C555=6n8F; R164=47k; R167=220k; U2=185V; P901=1k5; R527=680k; R301=3R3; C570=open
- 14* IRICO CPT: U1=113V; R510=150R; R560=R47; R563=8k2; C504=100uF; C555=8n2F; R164=47k; R167=220k; U2=185V; P901=1k5; R527=open; R301=3R3; C570=open
- 20* SAMSUNG CPT: U1=121V; R510=100R; R560=R47; R563=8k2; C504=100uF; C555=8n1F; R164=15k; R167=100k; U2=220V; P901=2k2; R527=open; R301=2R2; C570=10nF
- 20* LG CPT: U1=117V; R510=100R; R560=R22; R563=6k8; C504=220uF; C555=8n2F; R164=15k; R167=100k; U2=220V; P901=2k2; R527=open; R301=2R2; C570=10nF
- 21* SAMSUNG CPT: U1=119V; R510=100R; R560=R47; R563=6k8; C504=220uF; C555=8n2F; R164=15k; R167=100k; U2=220V; P901=2k2; R527=680k; R301=2R2; C570=10nF
- 21* LG CPT: U1=113V; R510=100R; R560=R10; R563=6k8; C504=220uF; C555=8n2F; R164=15k; R167=100k; U2=220V; P901=2k2; R527=680k; R301=2R2; C570=10nF