

1

2

3

4

A

A

B

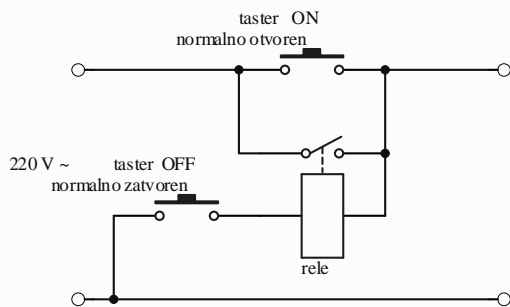
B

C

C

D

D



Title		
Size A	Number	Revision
Date: 24-Jul-09	Sheet of	
File: Sheet4.SchDoc	Drawn By:	

1

2

3

4