


NOTE 1. VALUES SHOWN FOR SUI400. SEE BOM FOR OTHER MODEL VALUES.

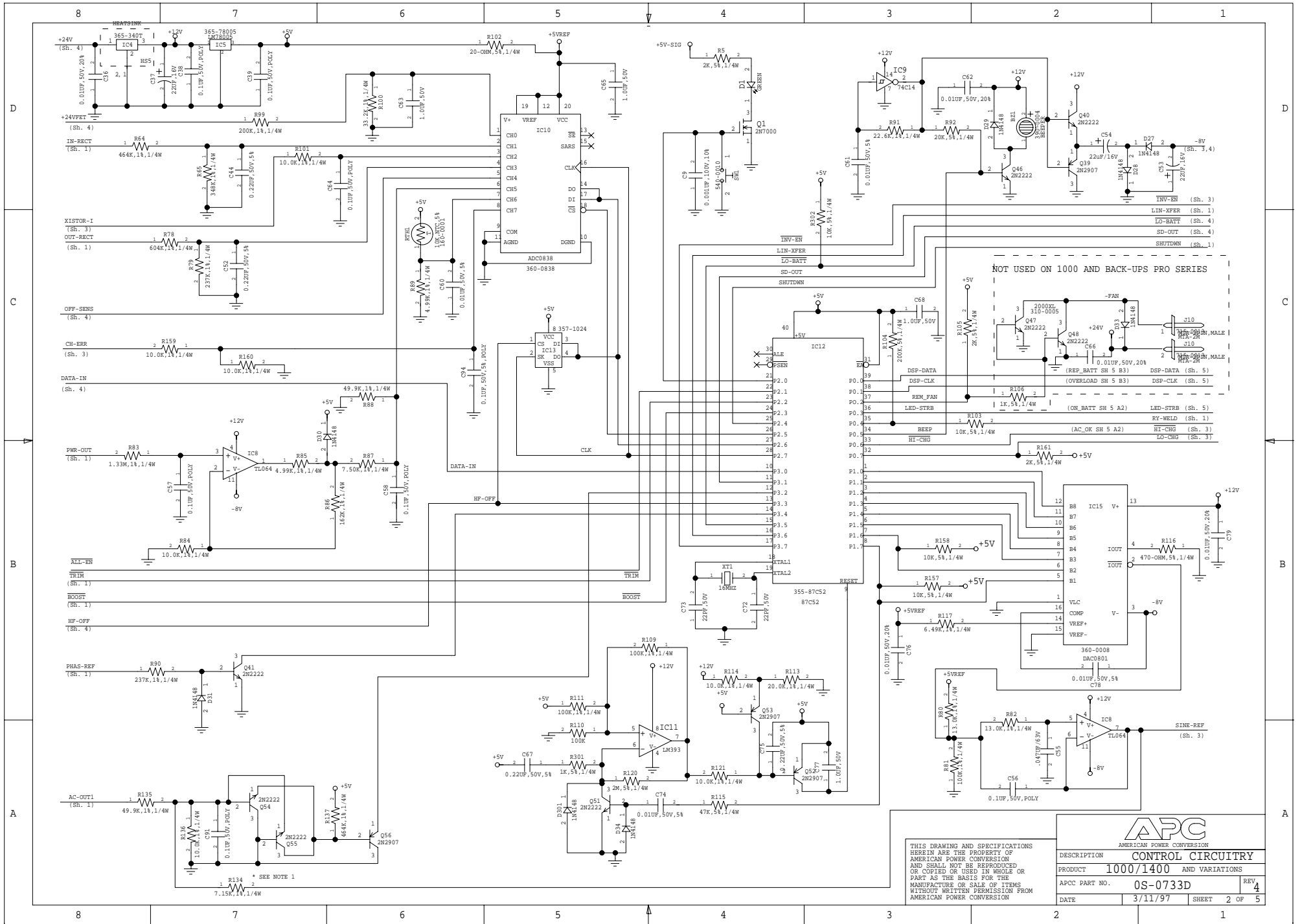
NOTE 2. INSERT W1, W2 IN PLACE OF RELAY SEE BOM

THIS DRAWING AND SPECIFICATIONS HEREBY ARE THE PROPERTY OF AMERICAN POWER CONVERSION AND SHALL NOT BE REPRODUCED OR COPIED OR USED IN WHOLE OR PART AS THE BASIS FOR THE MANUFACTURE OR SALE OF ITEMS WITHOUT WRITTEN PERMISSION FROM AMERICAN POWER CONVERSION

3/11/97

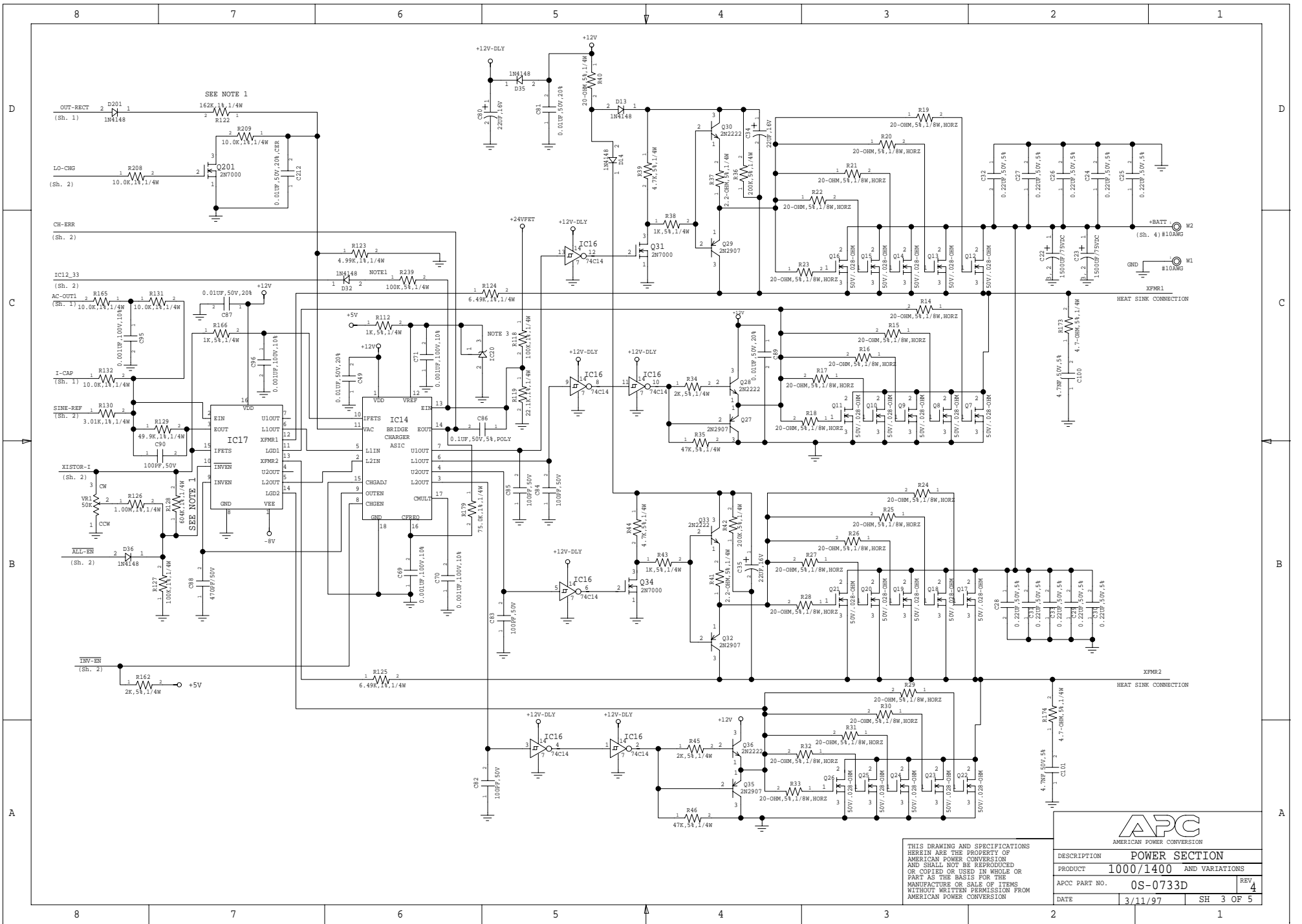
SCH. REV.	PCB REV.	ECOH	PAGE (ZONE)	DESCRIPTION	DATE	APPRVL
REVISION STATUS						
PCB DESIGNER	DATE	 AMERICAN POWER CONVERSION				
R. MURPHY	7/6/94					
ENGINEER	DATE					
MI/RCL	7/6/94					
CHECKED	DATE	DESC	AC IN/OUT FILTERING			
DWG FILE:	E733-D4.SCH	PRODUCT	1000/1400 AND VARIATIONS			
		APCC PART NO.	0S-0733D			
		DATE:	3/11/97		SHEET 1 OF 5	REV. 4

LATEST ECO UPDATED:1424



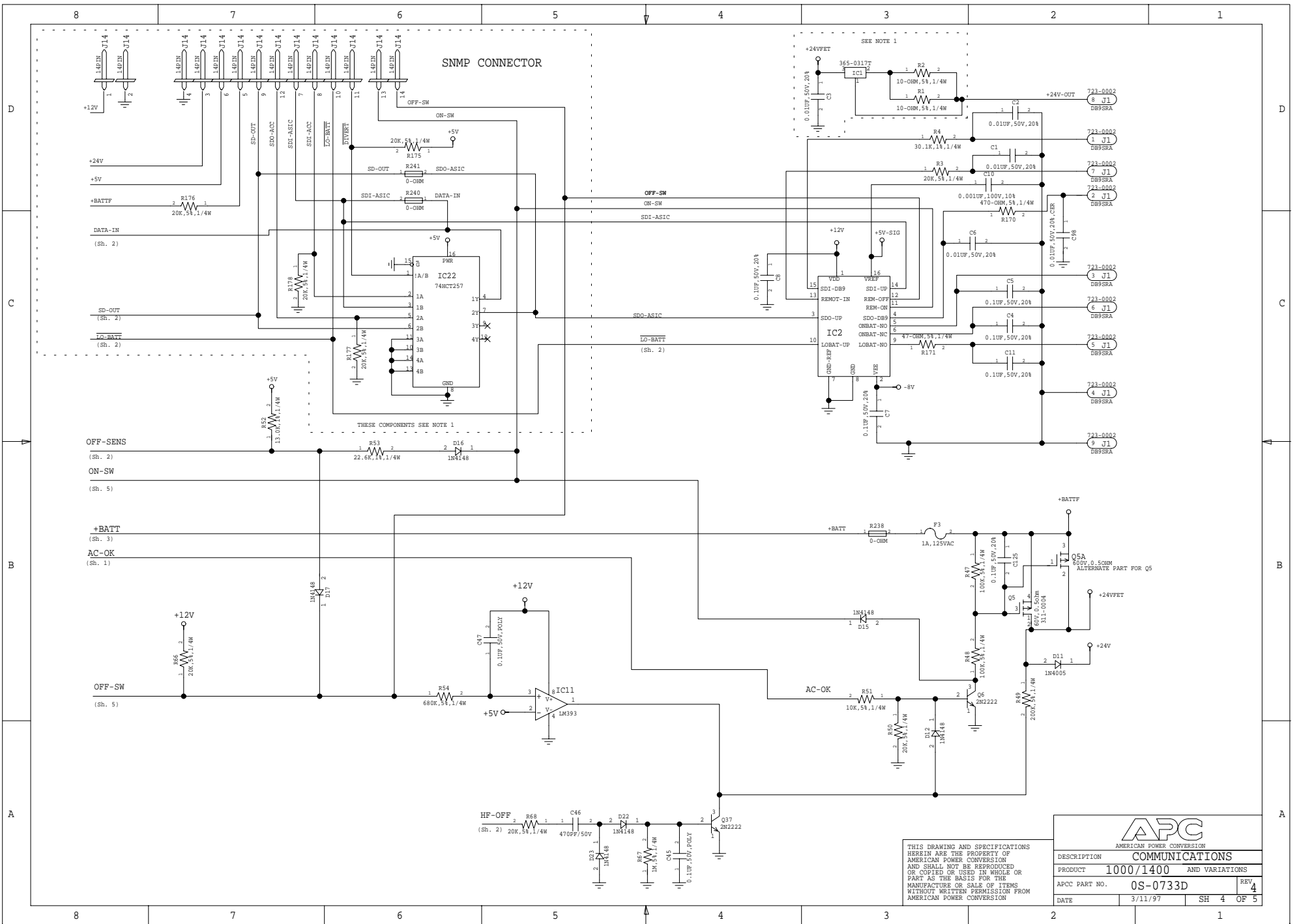
THIS DRAWING AND SPECIFICATIONS
HEREIN ARE THE PROPERTY OF
AMERICAN POWER CONVERSION
AND SHALL NOT BE REPRODUCED
OR COPIED OR USED IN WHOLE OR
PART AS THE BASIS FOR THE
MANUFACTURE OR SALE OF ITEMS
WITHOUT WRITTEN PERMISSION FROM
AMERICAN POWER CONVERSION

APC AMERICAN POWER CONVERSION	
DESCRIPTION	CONTROL CIRCUITRY
PRODUCT	1000/1400 AND VARIATIONS
APCC PART NO.	OS-0733D
DATE	3/11/97
SHEET	2 OF 5
REV	4



THIS DRAWING AND SPECIFICATIONS
HEREIN ARE THE PROPERTY OF
AMERICAN POWER CONVERSION
AND SHALL NOT BE REPRODUCED
OR COPIED OR USED IN WHOLE OR
PART AS THE BASIS FOR THE
MANUFACTURE OR SALE OF ITEMS
WITHOUT WRITTEN PERMISSION FROM
AMERICAN POWER CONVERSION

APC AMERICAN POWER CONVERSION	
DESCRIPTION	POWER SECTION
PRODUCT	1000/1400 AND VARIATIONS
APC PART NO.	OS-0733D
DATE	3/11/97
REV	4
SH	3 OF 5



THIS DRAWING AND SPECIFICATIONS
HEREIN ARE THE PROPERTY OF
AMERICAN POWER CONVERSION
AND SHALL NOT BE REPRODUCED
OR COPIED OR USED IN WHOLE OR
PART AS THE BASIS FOR THE
MANUFACTURE OR SALE OF ITEMS
WITHOUT WRITTEN PERMISSION FROM
AMERICAN POWER CONVERSION

APC AMERICAN POWER CONVERSION	
COMMUNICATIONS	
DESCRIPTION	1000/1400 AND VARIATIONS
PRODUCT	OS-0733D
APCC PART NO.	REV 4
DATE	3/11/97 SH 4 OF 5

8 7 6 5 4 3 2 1

SEE NOTE 1

D

C

B

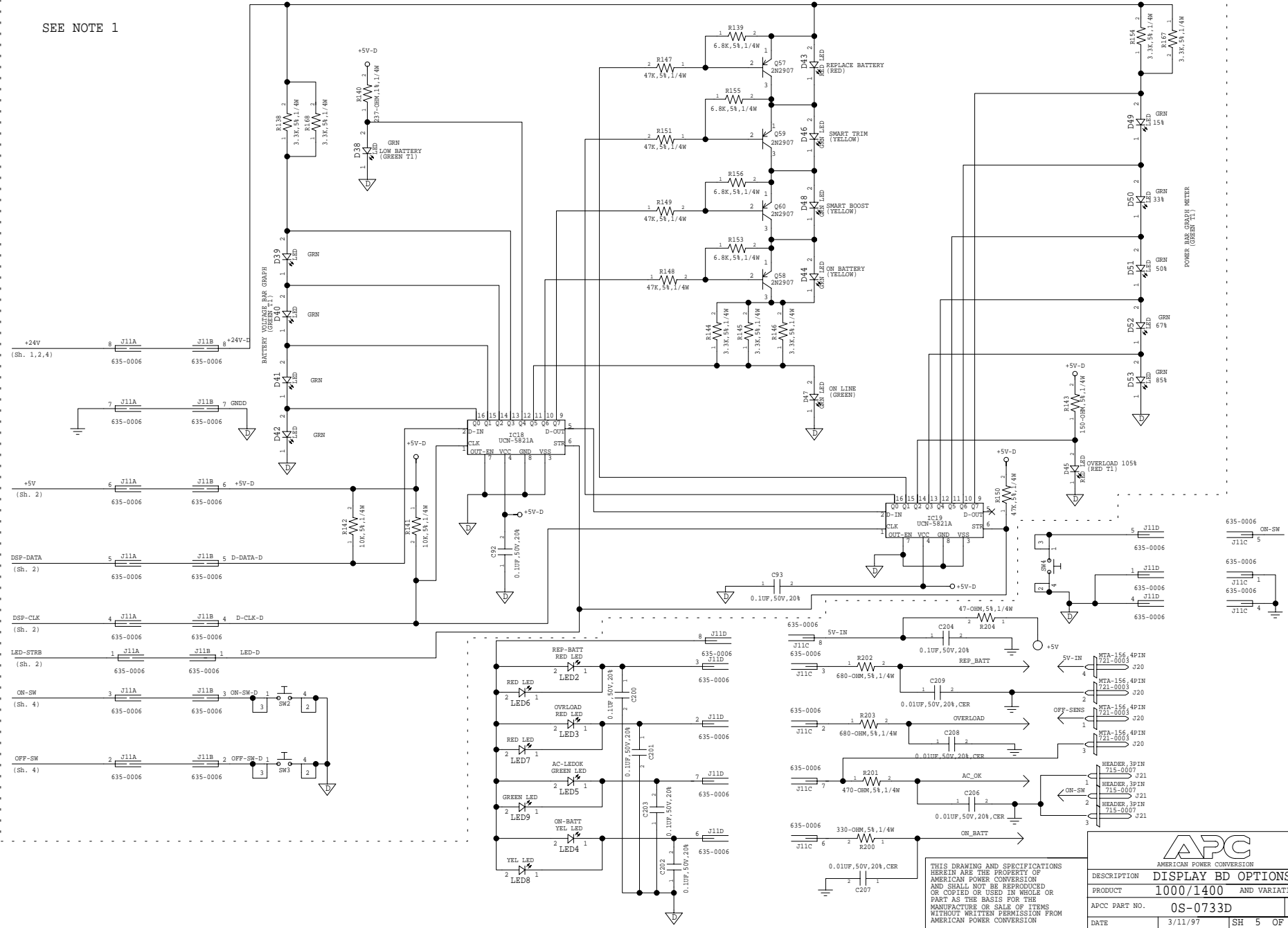
A

D

C

B

A



THIS DRAWING AND SPECIFICATIONS
HEREIN ARE THE PROPERTY OF
AMERICAN POWER CONVERSION
AND SHALL NOT BE REPRODUCED
OR COPIED OR USED IN WHOLE OR
PART AS THE BASIS FOR THE
MANUFACTURE OR SALE OF ITEMS
WITHOUT WRITTEN PERMISSION FROM
AMERICAN POWER CONVERSION

APC AMERICAN POWER CONVERSION	
DESCRIPTION	DISPLAY BD OPTIONS
PRODUCT	1000/1400 AND VARIATIONS
APCC PART NO.	OS-0733D
DATE	3/11/97
SH	5 OF 5
REV	4