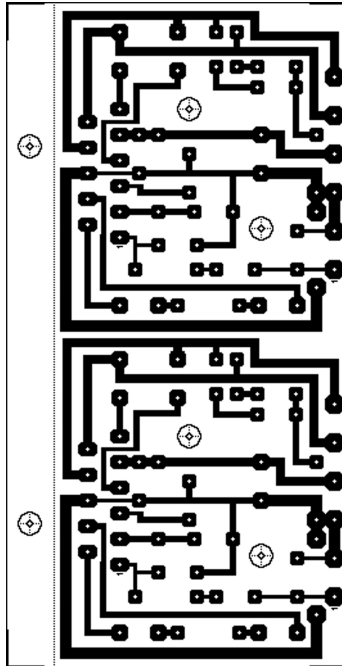


Low Cost 2x20 Watt Stereo Amplifier Project by TDA2005

1:1 Scaled

[www.circuit-projects.com](http://www.circuit-projects.com)  
& PITT's Electronics



[www.circuit-projects.com](http://www.circuit-projects.com)