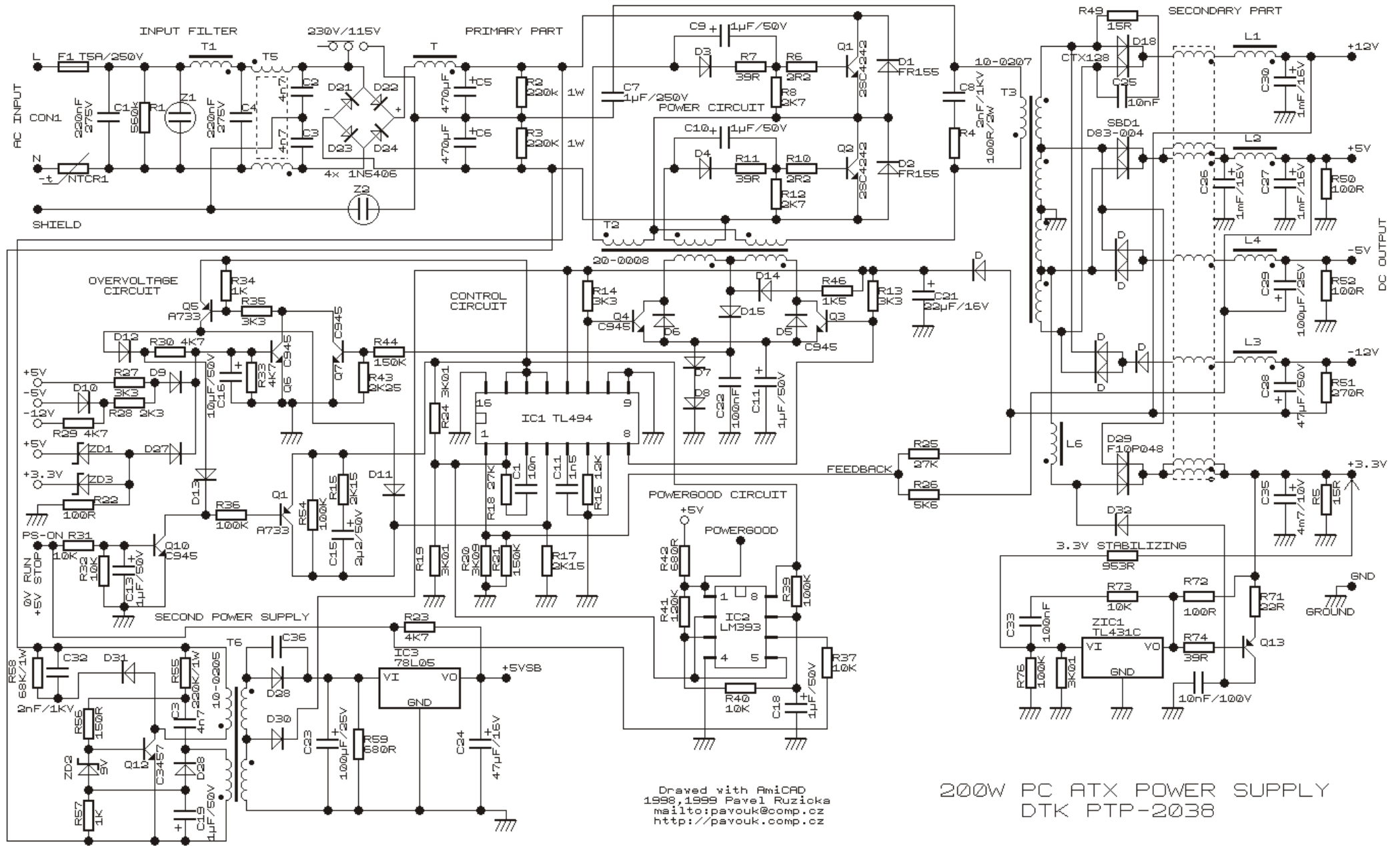


JNC MODEL:IC-B250ATX
COMPUTER CO.,LTD

+3,3V	+5V	+12V	-12V	-5V	+5VSB
20A	25A	13A	0,8A	0,3A	2A



Drawn with AmicAD
 1998,1999 Pavel Ruzicka
 mailto:pavouk@comp.cz
 http://pavouk.comp.cz

200W PC ATX POWER SUPPLY
 DTK PTP-2038