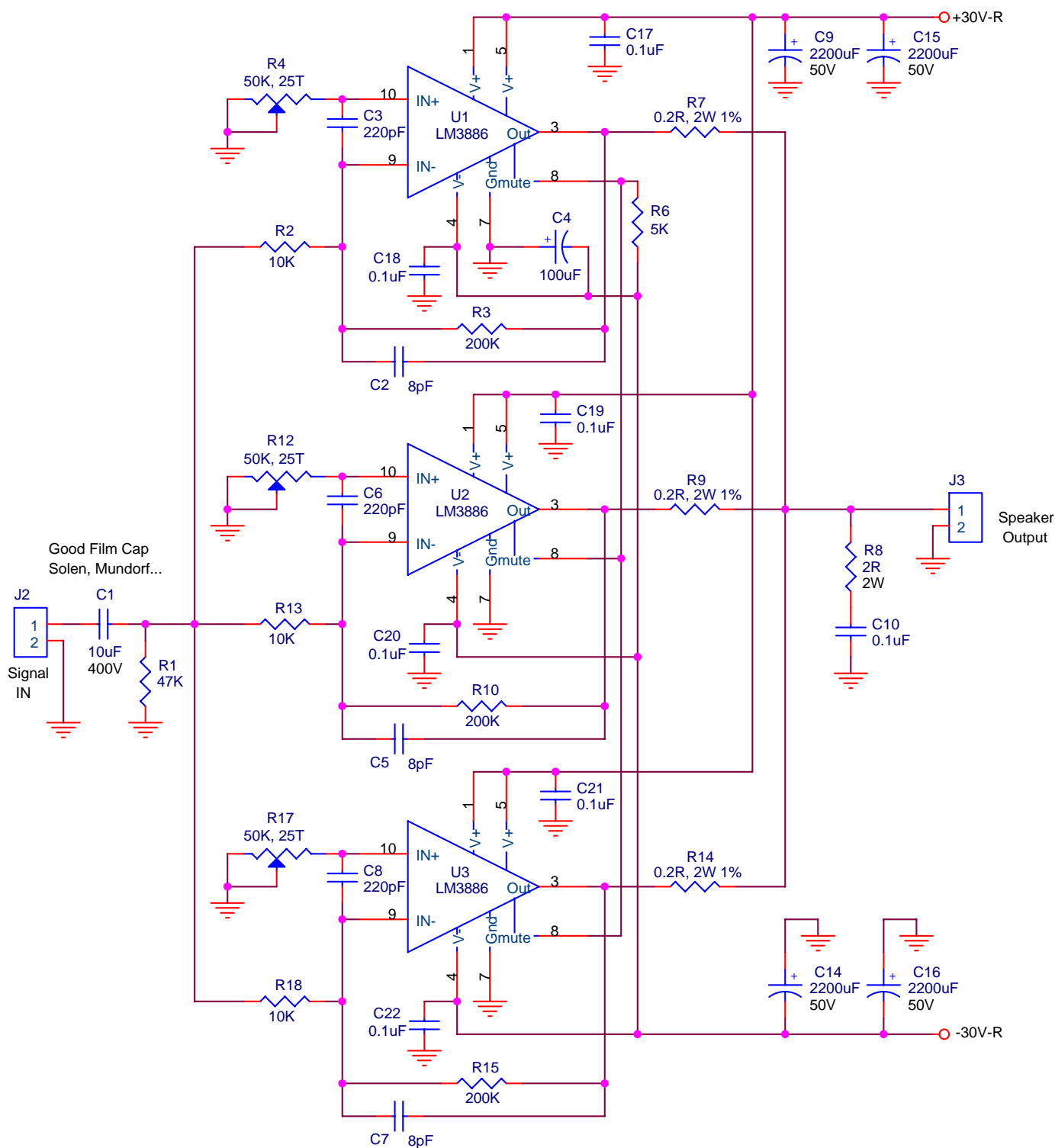


Right Channel Only, Repeat for Left Channel



Notes:

- 1- All Resistors Metal Film, 1%, 1/4W, SMD, unless specified otherwise
- 2- All Capacitors Panasonic FC electrolytic, unless specified otherwise
- 3- Caps 220pF & 8pF are ceramic SMD
- 4- Caps 0.1uF, Wima MKS-3, 63V
- 5- C17-C22 are installed directly on the IC pins under the PCB

Changes List	
No	Description
1	
2	
3	
4	

DIYAudio - Alex Wong			
Title BPA300 - Bridged LM3886 300W Amplifier			
Size	Document Number		Rev
Custom	BPA150 Amplifier PCB		--
Date:	Wednesday, July 11, 2007	Sheet	1 of 1