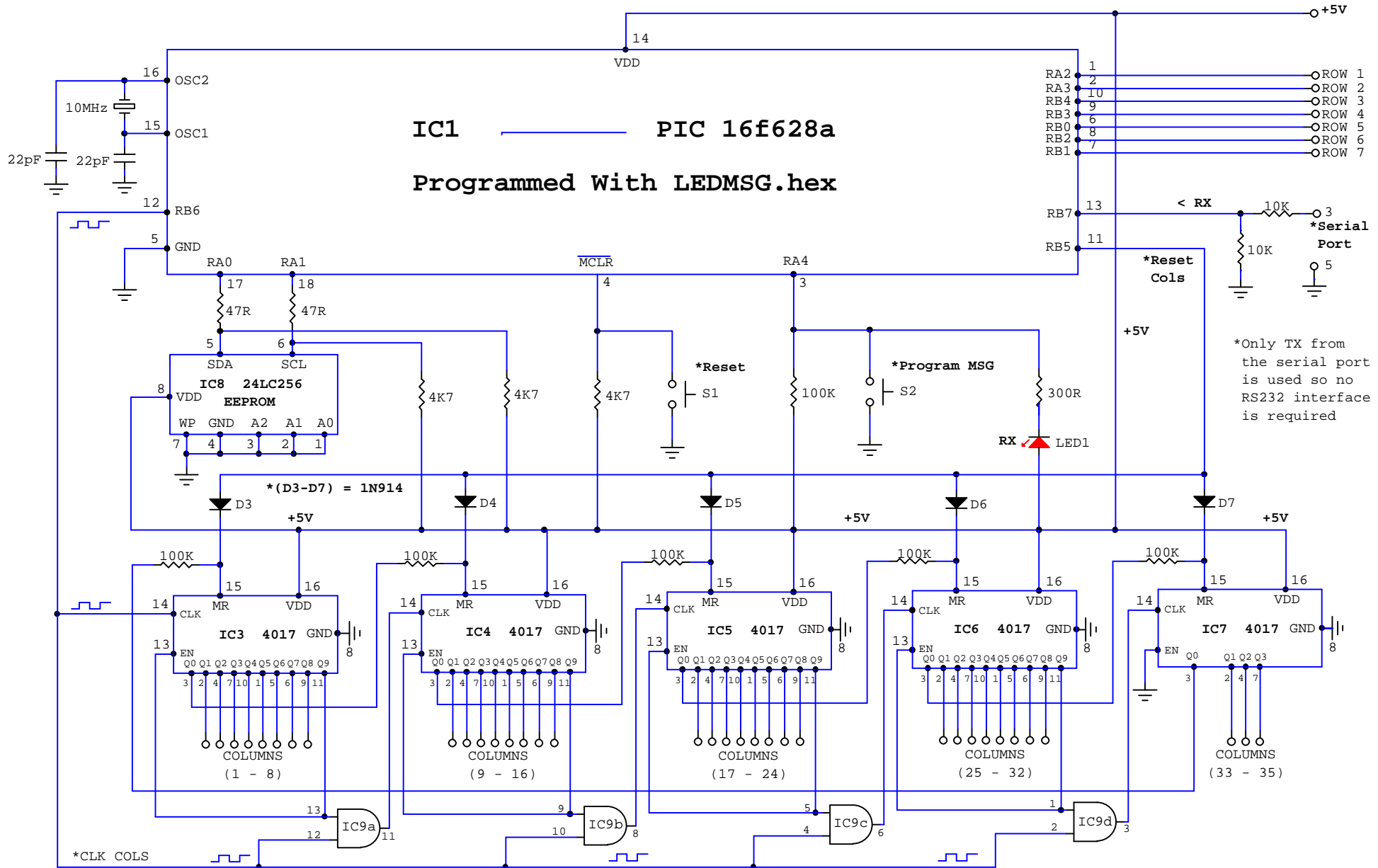

 ***** 245 LED MOVING MESSAGE DISPLAY ***** LOGIC CONTROLLER ***** 30/01/06 ***



*Typical gated cascaded arrangement with no "dead time" except for propagation delay. Modified from the Philips application notes. Philips illustrated a 3 stage circuit with no provision for a master reset all counters feature

*IC9 = 74HC08

*Only TX from the serial port is used so no RS232 interface is required

