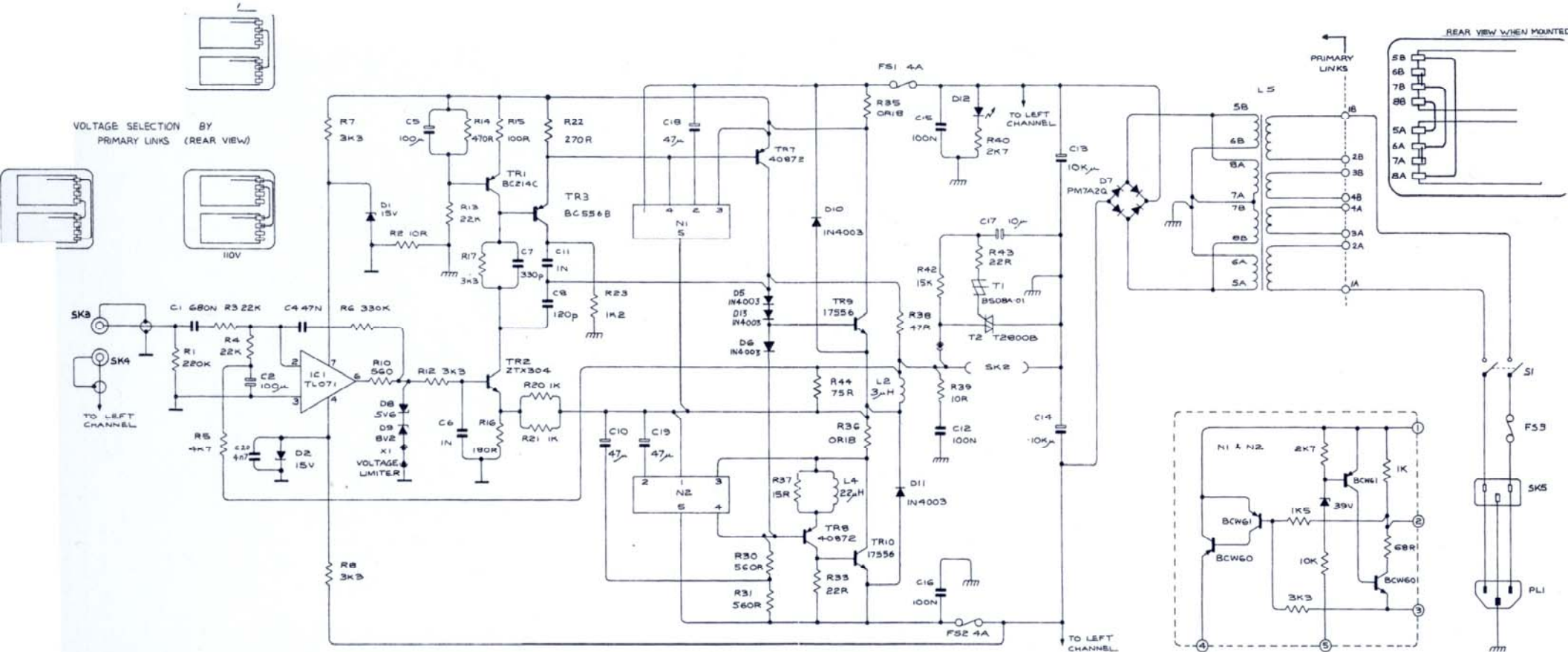


BOARD M 1565



R1	RESISTOR	220K	± 5%	R20KJ4
R2	RESISTOR	10R	± 5%	R10R0J1
R3	RESISTOR	22K	± 2%	R22K0G1
R4	RESISTOR	22K	± 2%	R22K0G1
R5	RESISTOR	4K7	± 5%	R4K70J4
R6	RESISTOR	330K	± 2%	R330K61
R7	RESISTOR	3K3	± 5%	R3K30J1
R8	RESISTOR	3K3	± 5%	R3K30J1
R9	RESISTOR	560R	± 5%	R560R14
R10	RESISTOR	3K3	± 5%	R3K30J1
R11	RESISTOR	22K	± 2%	R22K0G1
R12	RESISTOR	22K	± 2%	R22K0G1
R13	RESISTOR	22K	± 2%	R22K0G1
R14	RESISTOR	470R	± 5%	R470R14
R15	RESISTOR	100R	± 5%	R100R14
R16	RESISTOR	150R	± 2%	R150R61
R17	RESISTOR	3K3	± 5%	R3K30J1
R20	RESISTOR	1K	± 2%	R1K00G1
R21	RESISTOR	1K	± 2%	R1K00G1
R22	RESISTOR	270R	± 5%	R270R14
R23	RESISTOR	1K2	± 5%	R1K20J4
R30	RESISTOR	560R	± 5%	R560R14
R31	RESISTOR	560R	± 5%	R560R14
R33	RESISTOR	22R	± 5%	R22R0J4
R35	RESISTOR	0R1B	± 5%	R0R1B14
R36	RESISTOR	0R1B	± 5%	R0R1B14
R37	RESISTOR	15R	± 5%	R15R0J4

R38	RESISTOR	47R	± 5%	R47R0J4
R39	RESISTOR	10R	± 5%	R10R0J1
R40	RESISTOR	2K7	± 5%	R2K70J4
R42	RESISTOR	15K	± 5%	R15K0J4
R43	RESISTOR	22R	± 5%	R22R0J4
R44	RESISTOR	75R	± 5%	R75R0J4
C1	CAPACITOR	680N		C680NKA
C2	CAPACITOR	100µ		C100µJ
C4	CAPACITOR	47N		C47N0J5
C5	CAPACITOR	100µ		C100µME
C6	CAPACITOR	1N		C1N00J1P
C7	CAPACITOR	330P		C330PJ1
C8	CAPACITOR	120P		C120PJ1
C9	CAPACITOR	47µ		C47µ02B
C11	CAPACITOR	1N		C1N006A
C12	CAPACITOR	100N		C100N15
C13	CAPACITOR	10Kµ		C10Kµ1B
C14	CAPACITOR	10Kµ		C10Kµ1B
C15	CAPACITOR	100N		C100N15
C16	CAPACITOR	100N		C100N15
C17	CAPACITOR	10µ		C10µ02R
C18	CAPACITOR	47µ		C47µ02E
C19	CAPACITOR	47µ		C47µ02E
C20	CAPACITOR	47µ		C47µ027

TR1	TRANSISTOR	BC214C	DBC214C
TR2	TRANSISTOR	ZTX304	DZTX304
TR3	TRANSISTOR	BC556B	DBC556B
TR7	TRANSISTOR	40872	D40872X
TR8	TRANSISTOR	40872	D40872X
TR9	TRANSISTOR	17556	D17556X
TR10	TRANSISTOR	17556	D17556X
T1	DIAC	BS08A-01	DBS08AA
T2	TRIAC	T2800B	DT2800B
D1	ZENER DIODE	BZY88C 15V	DBZY88C
D2	ZENER DIODE	BZY88C 15V	DBZY88C
D5	DIODE	IN4003	DIN4003
D6	DIODE	IN4003	DIN4003
D7	BRIDGE RECTIFIER	PM7A2Q	DPM7A2Q
D8	ZENER DIODE	BZY44C 5V6	DBZY44C
D9	ZENER DIODE	BZY44C 5V2	DBZY44C
D10	DIODE	IN4003	DIN4003
D11	DIODE	IN4003	DIN4003
D12	LED	XC5053R	BL5053R
D13	DIODE	IN4003	DIN4003
X1	SHORTING LINK		Q05LINK
IC1	INT. CIRCUIT	TL071	DO71CPX

FS1	FUSE	4A	UM04AGU
FS2	FUSE	4A	UM04AGU
FS3	FUSE	T2A5 220-240V T5A 110-130V	UM2A5DA UM05ADA
L5	MAINS TRANSFORMER		L12362A
L2	CHOKER	3µH	L12405A
L4	CHOKER	22µH	L4T220K
N1	NETWORK		Q05NIAT
N2	NETWORK		Q05NIAT
PL1	AC. POWER IN/FUSEHOLDER	PLUG	PPF12AA
SI	SWITCH		S405OFF
SK2	OUTPUT SOCKETS	RED BLACK	PSRS14C PSBS14C
SK3	INPUT RIGHT		PSPHON2
SK4	INPUT LEFT		PSPHON9
SK5	AC. POWER OUTLET SOCKET		PSP695S