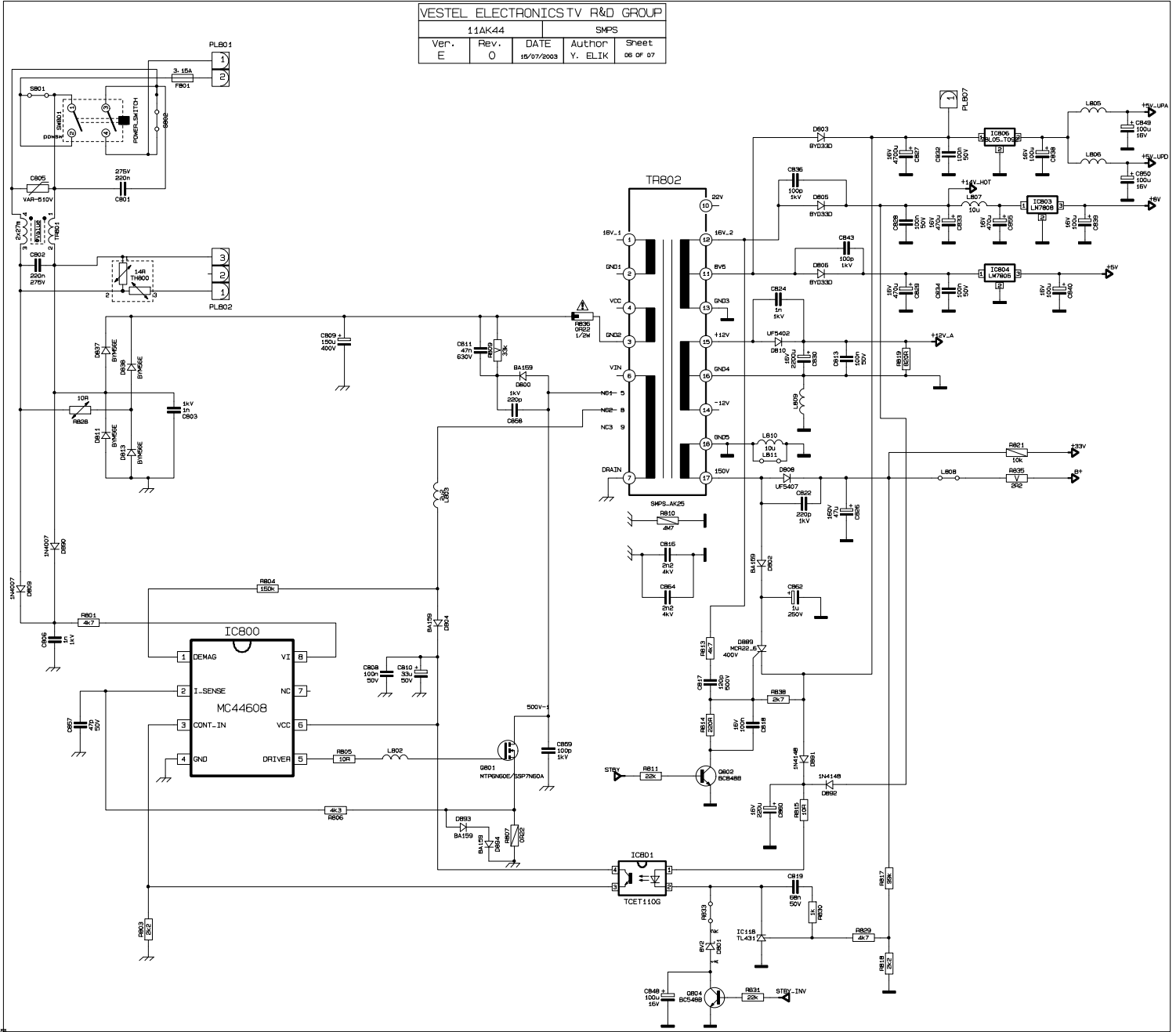
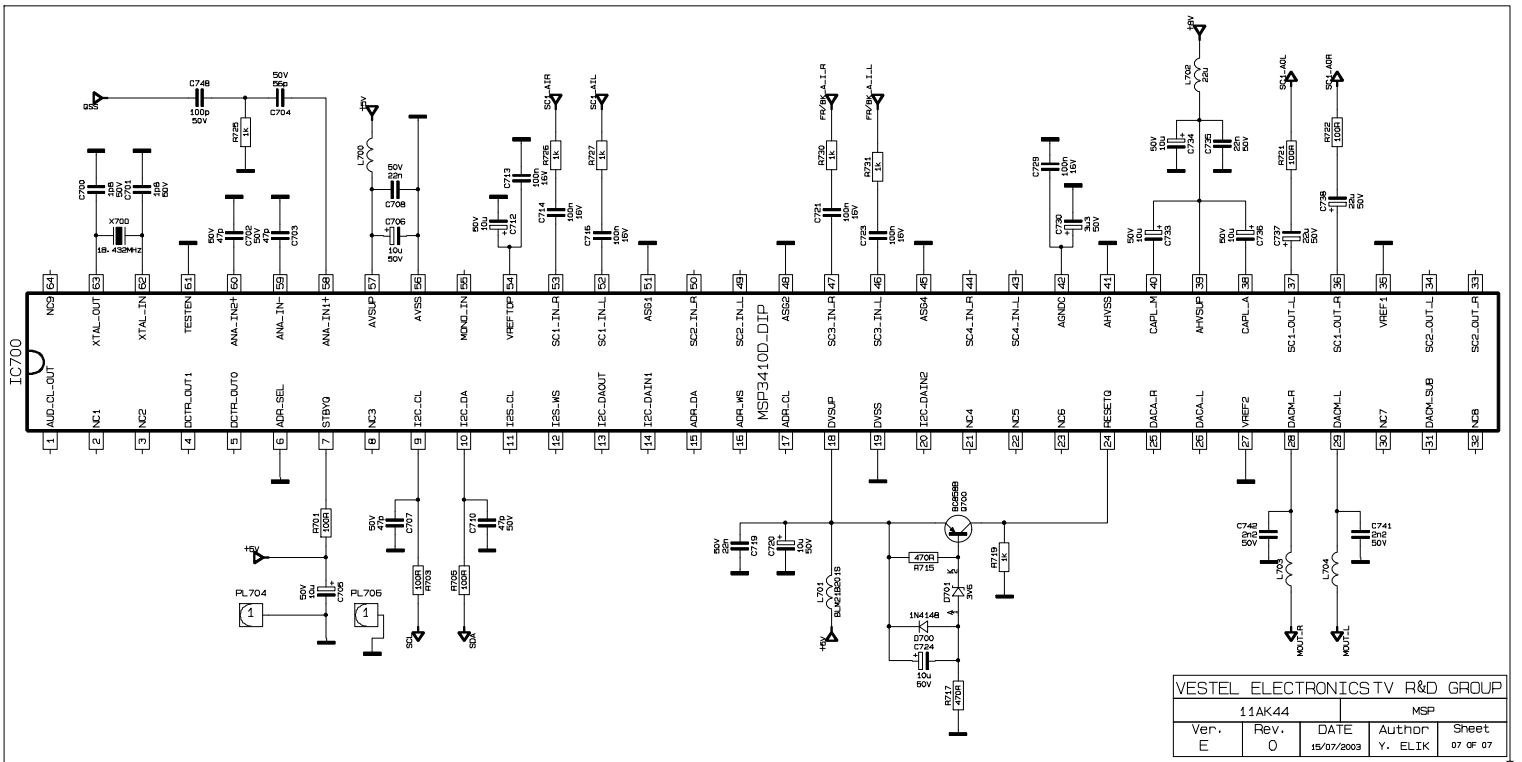
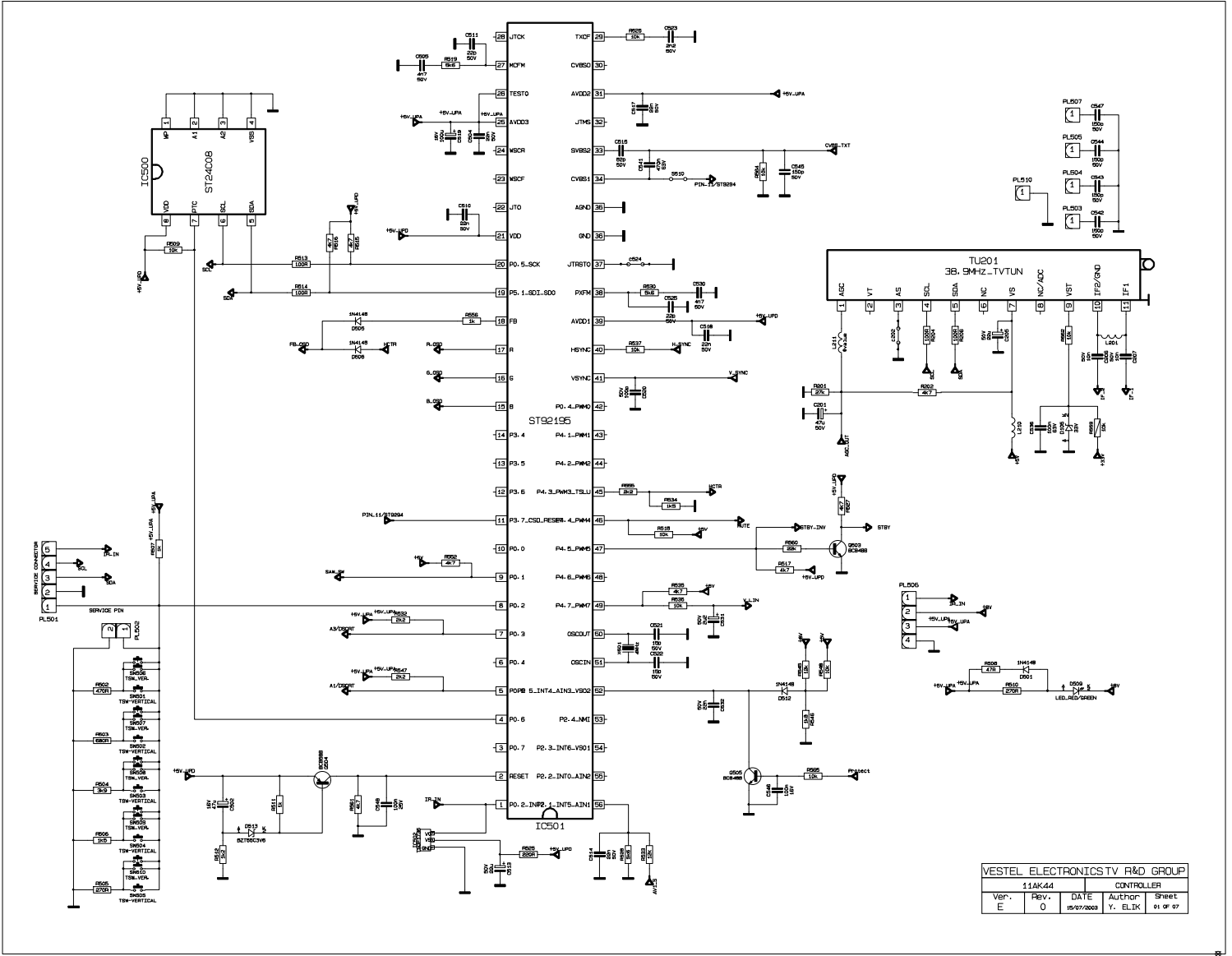


VESTEL ELECTRONICS TV R&D GROUP

11AK44			SMPS	
Ver.	Rev.	DATE	Author	Sheet
E	O	18/07/2003	Y. ELIK	06 of 07





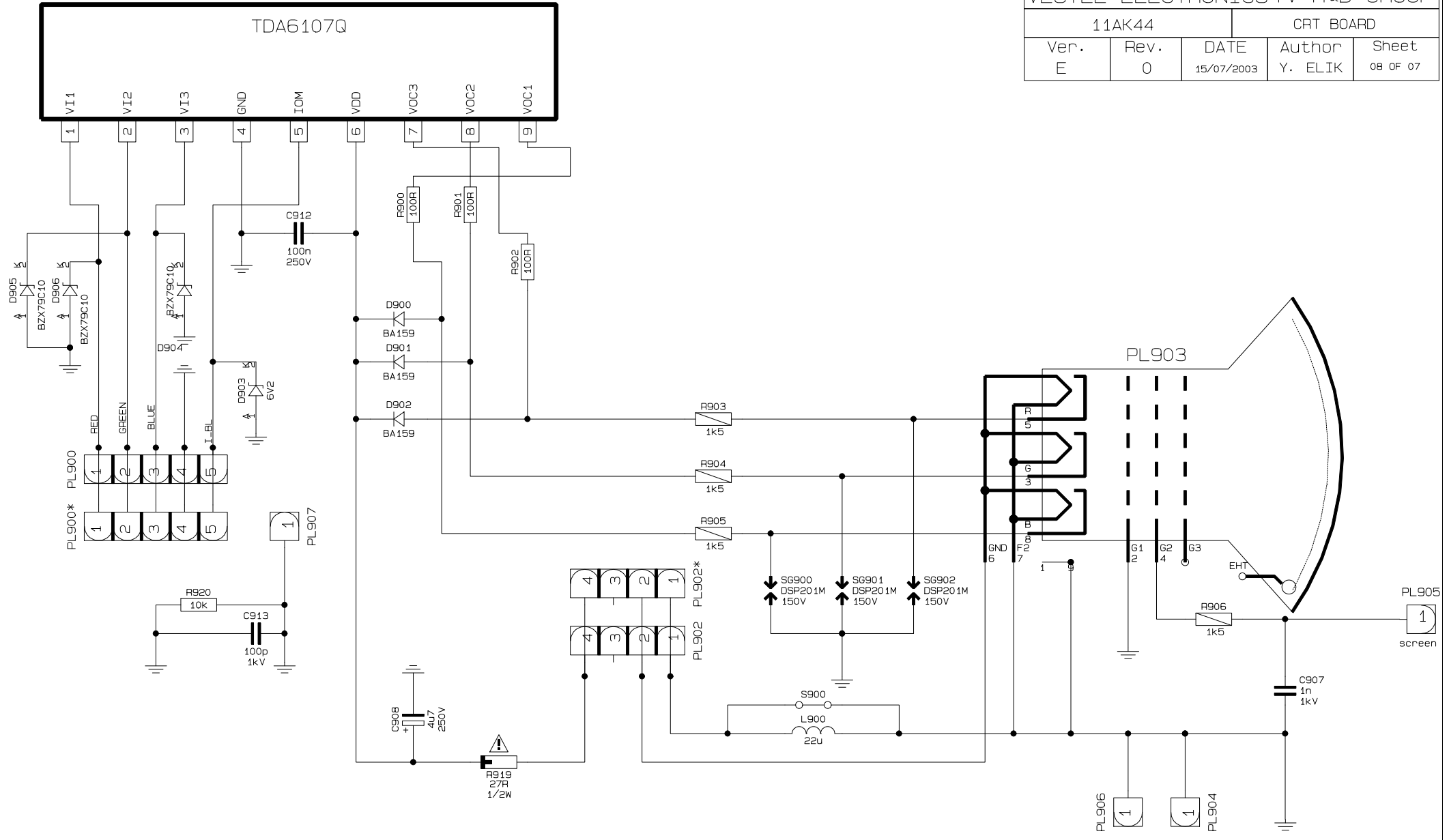


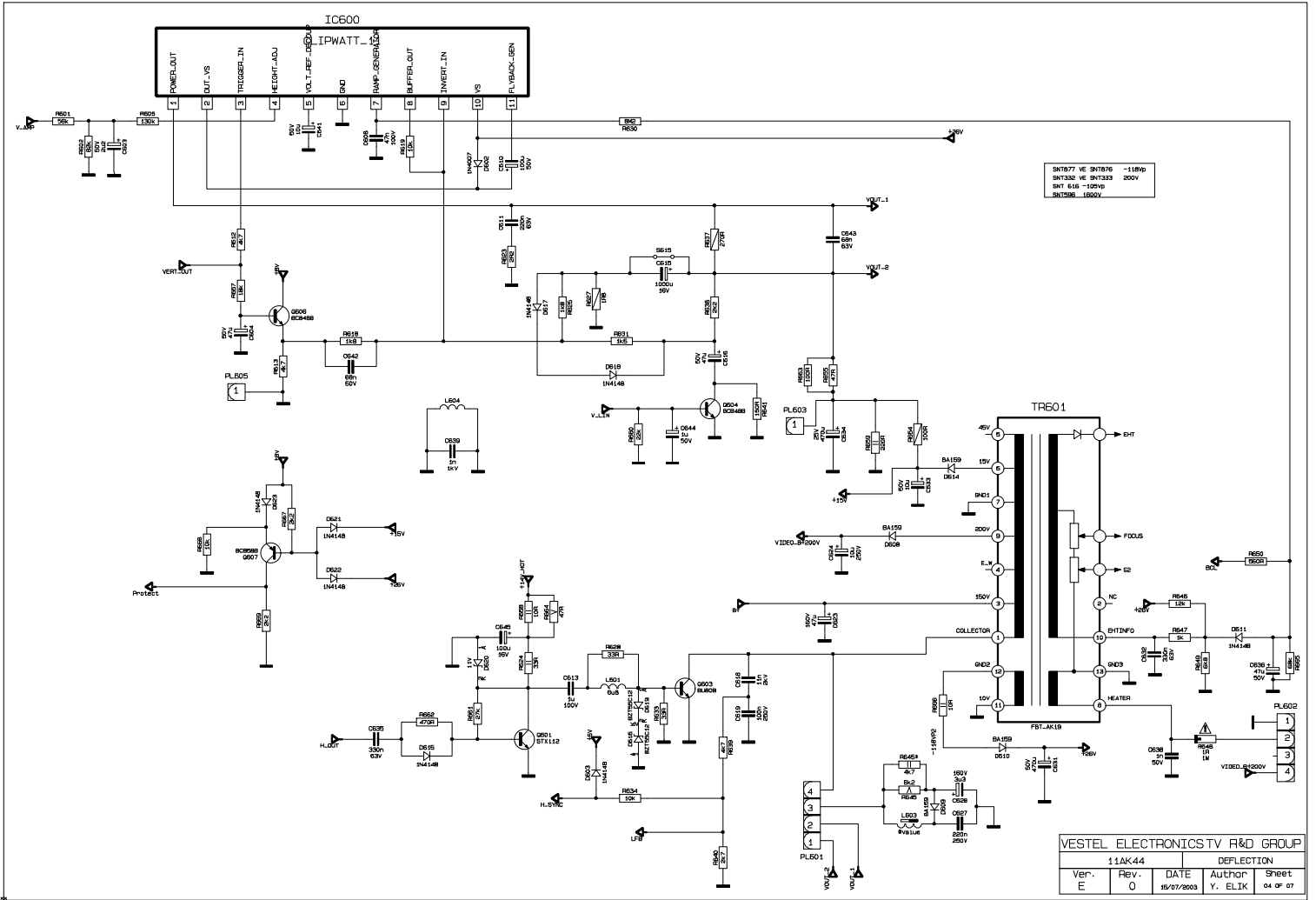
VESTEL ELECTRONICS TV R&D GROUP				
Ver.	Rev.	DATE	AUTHOR	SHEET
E	0	15/07/2009	Y. ELIK	01 of 07

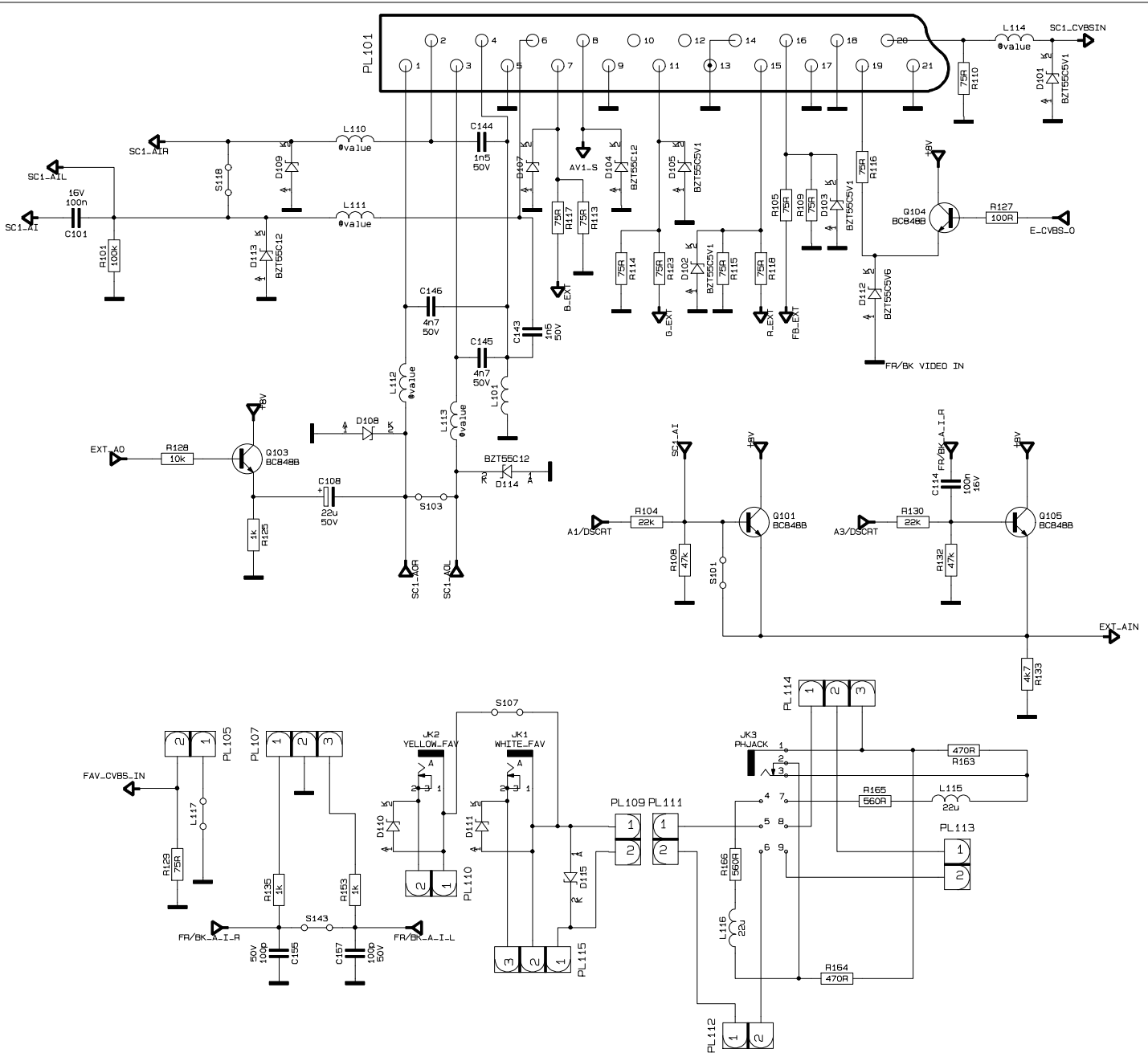
11AK44			CRT BOARD	
Ver. E	Rev. 0	DATE 15/07/2003	Author Y. ELIK	Sheet 08 OF 07

IC900

TDA6107Q







VESTEL ELECTRONICS TV R&D GROUP				
11AK44		VIDEO		
Ver.	Rev.	DATE	Author	Sheet
E	0	15/01/2003	Y. ELIK	68 OF 97

