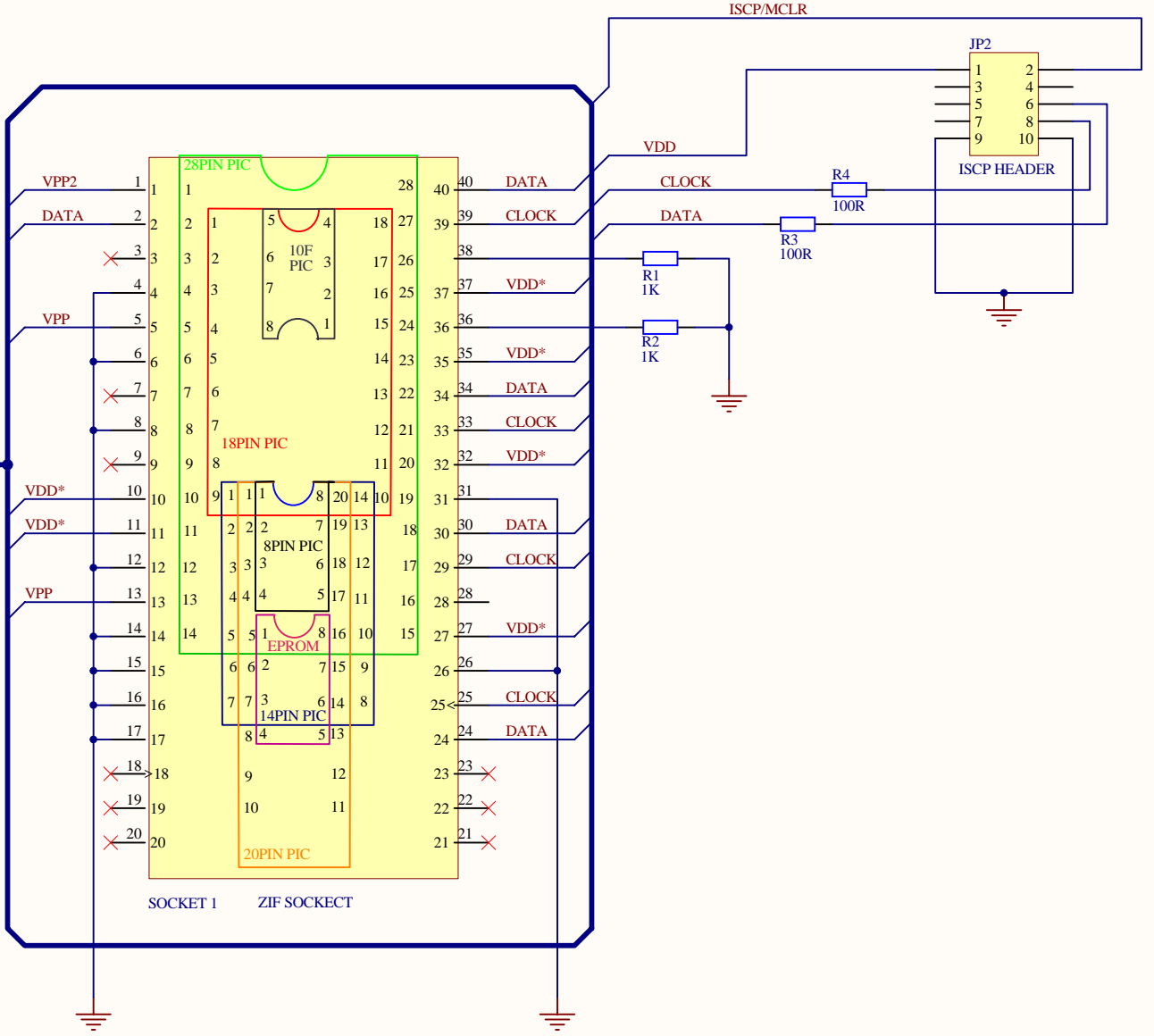
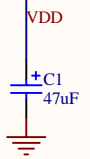
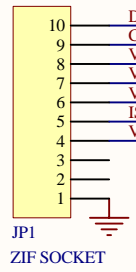


USB Programmer 8 - 40 Pin

Title GTP - USB [PLUS]			
Size: A4	Number: 1	Revision: 1.1	
Date: 04/11/2005	Time: 23:00:35	Sheet 1 of 2	
File: C:\Program Files\Altium2004\winpic800\WINPIC8001.SCHDOC			DRAWN: CHUCKIEBOY



10F/12F/16F/16C/18F/24C - ZIF SOCKET

Title 40 PIN ZIF SOCKET			
Size: A4	Number: 1	Revision: 1.1	
Date: 04/11/2005	Time: 23:02:03	Sheet 2 of 2	
File: C:\Program Files\Altium2004\winpic800\WINPIC8002.SCHDOC			DRAWN: CHUCKIEBOY

