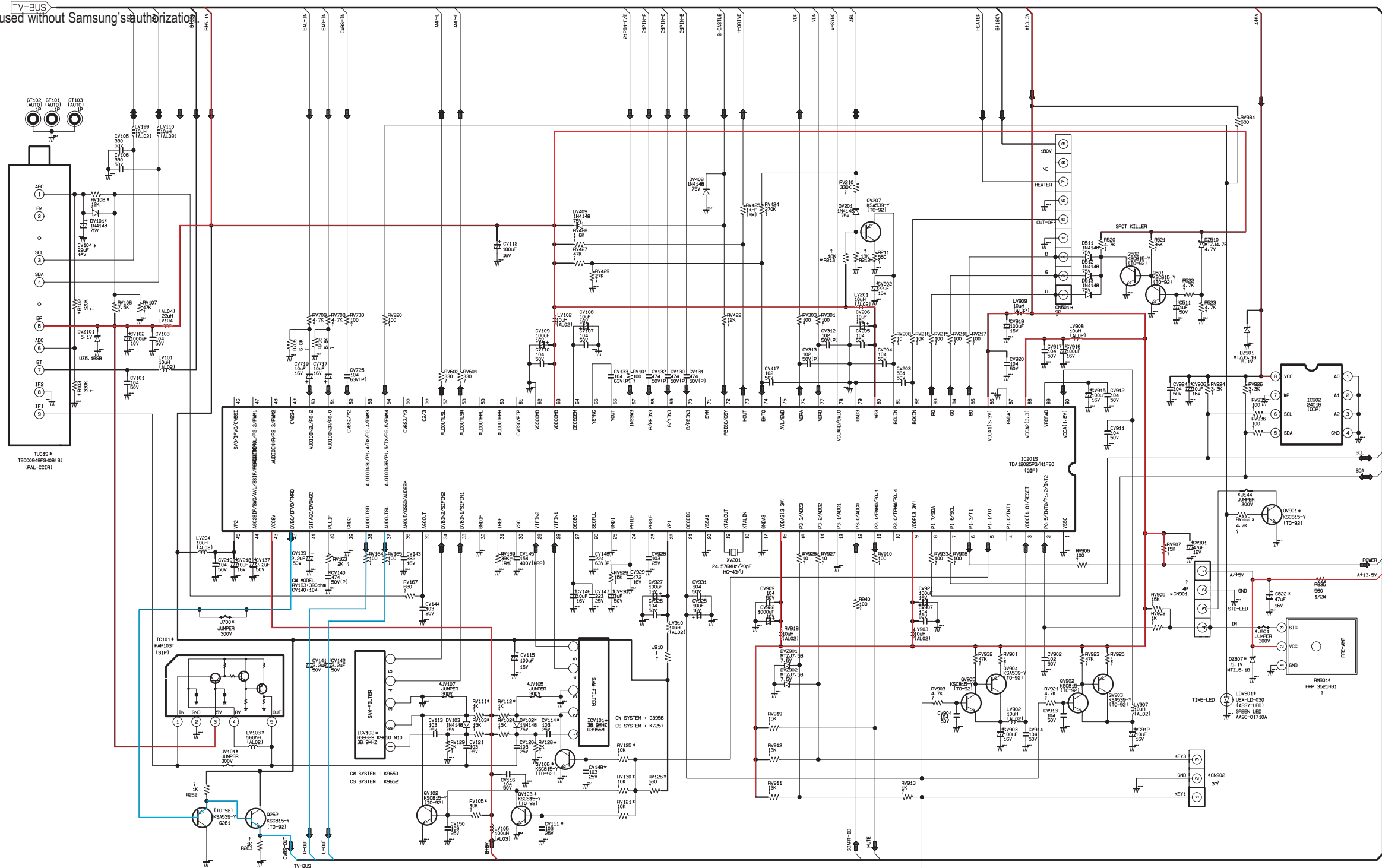


10. Schematic Diagram

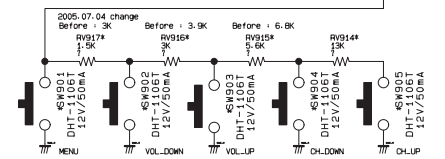
10-1 UOC3 & TUNER BLOCK

BLOCK 2 : UOC3 & TUNER BLOCK UOC3

This Document can not be used without Samsung's authorization

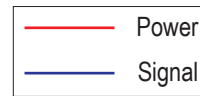


VIF / SIF / MICOM PROCESS BLOCK
 UOC-3 + Green CPT Project



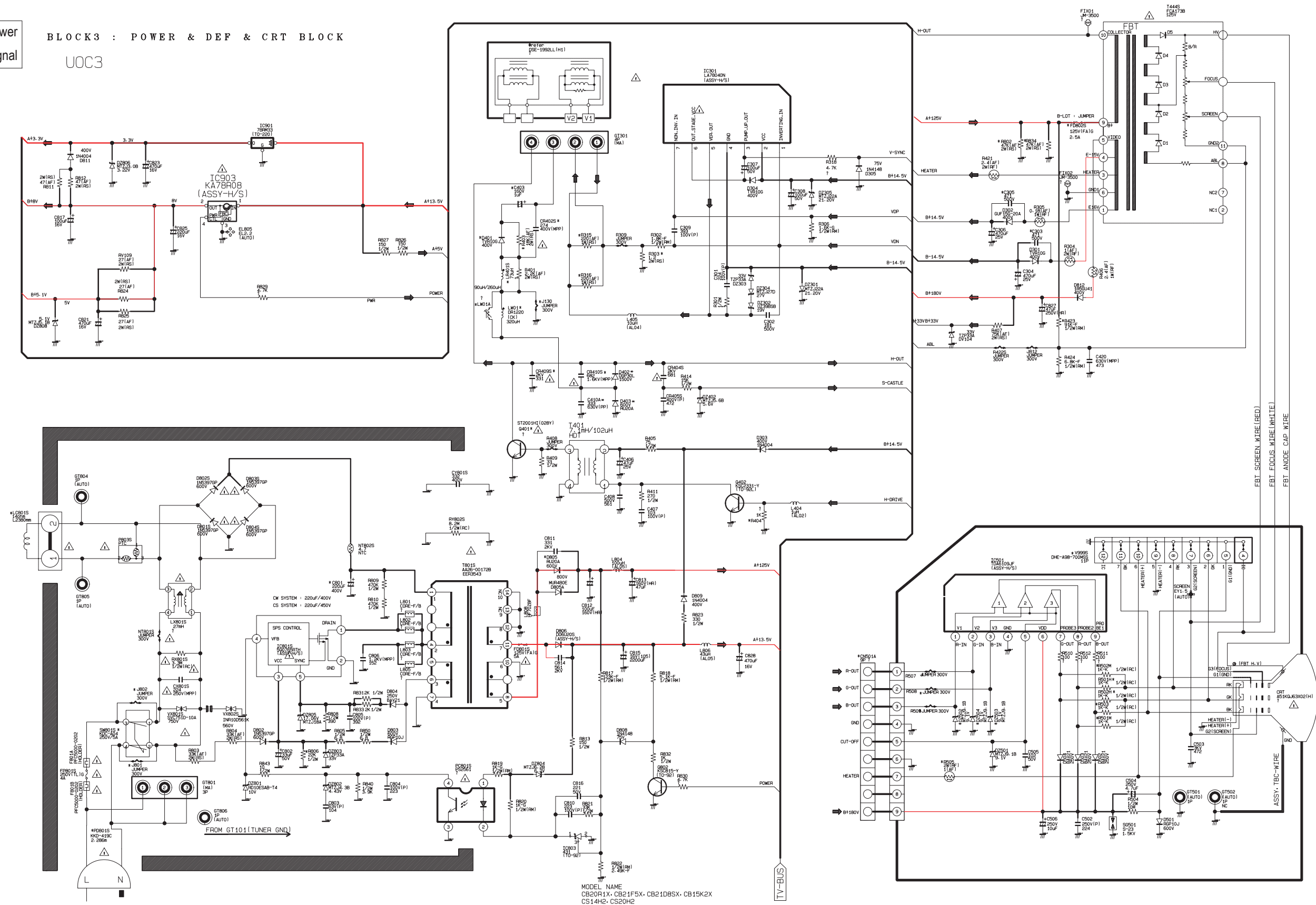
10-2 POWER & DEF & CRT BLOCK

This Document can not be used without Samsung's authorization.



BLOCK3 : POWER & DEF & CRT BLOCK

UOC3



MODEL NAME
CB20R1X-CB21F5X-CB21D8SX-CB15K2X
CS14H2-CS20H2

10-3 SOUND AMP & SCART BLOCK

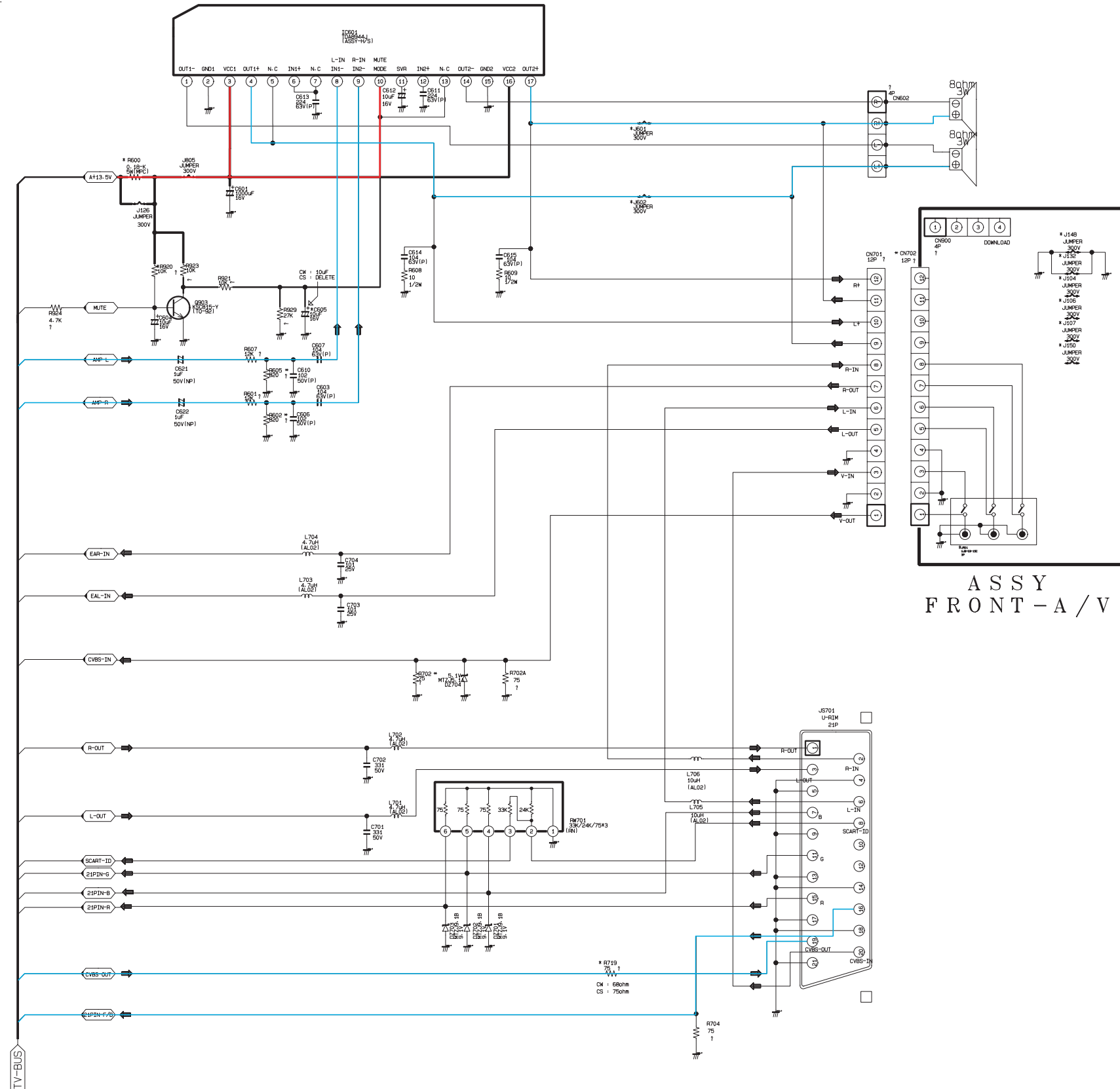
This Document can not be used without Samsung's authorization.



This drawing is property of SEC
Use or copy of this drawing without proper permission from the appropriate technical-document managing department is prohibited.

UOC3

BLOCK1 : SOUND AMP & SCART BLOCK



ASSY FRONT - A / V