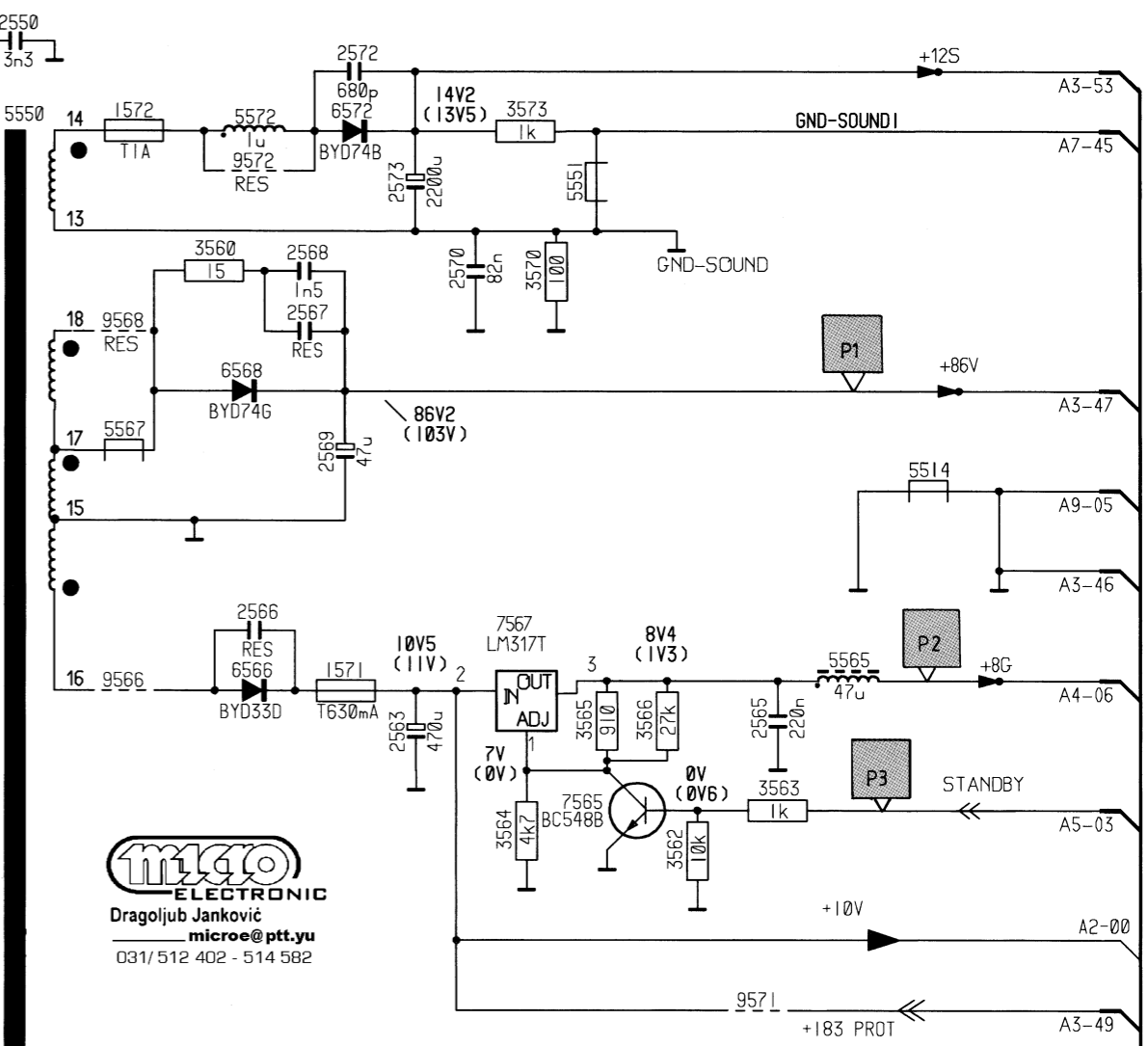
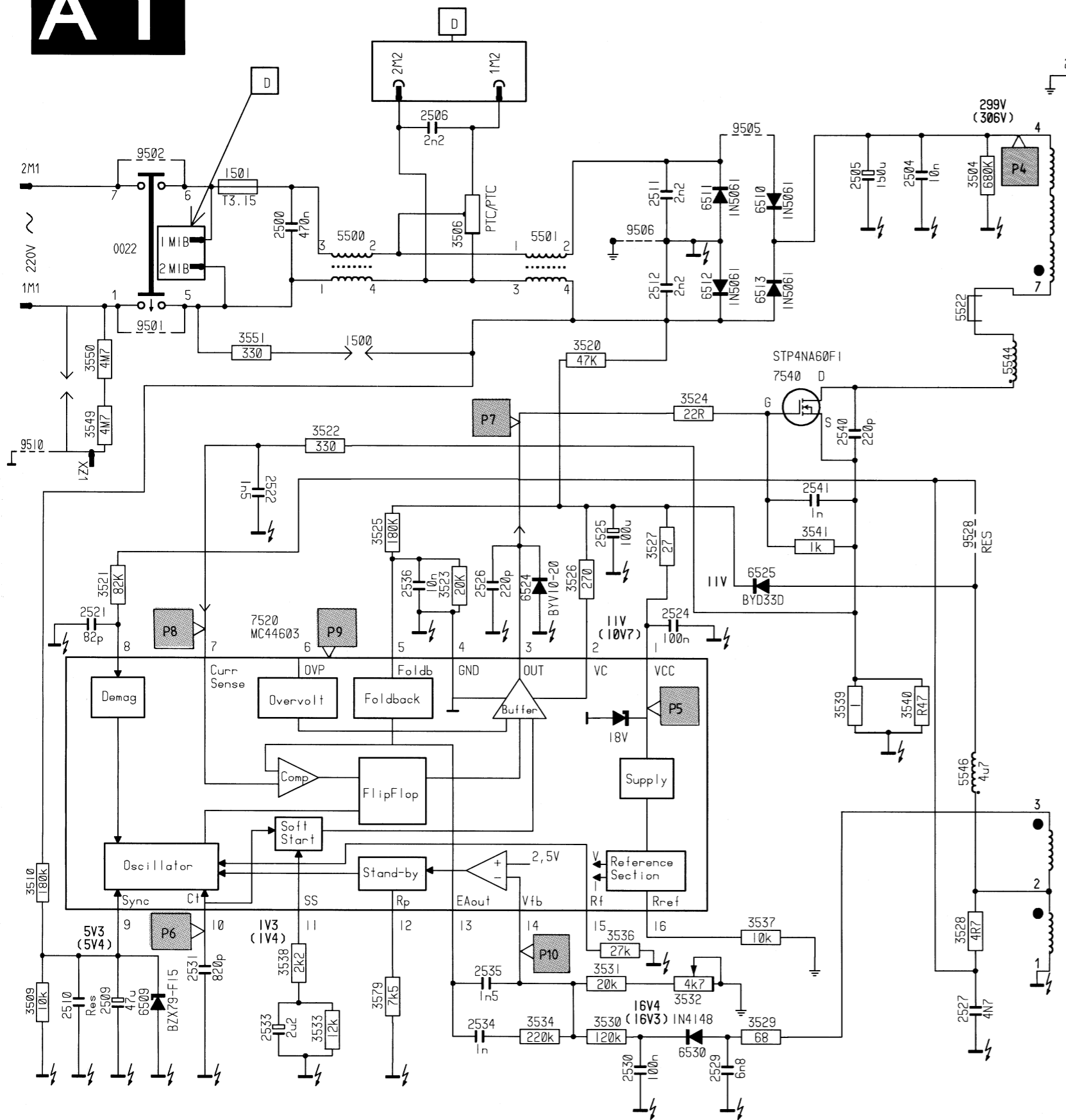
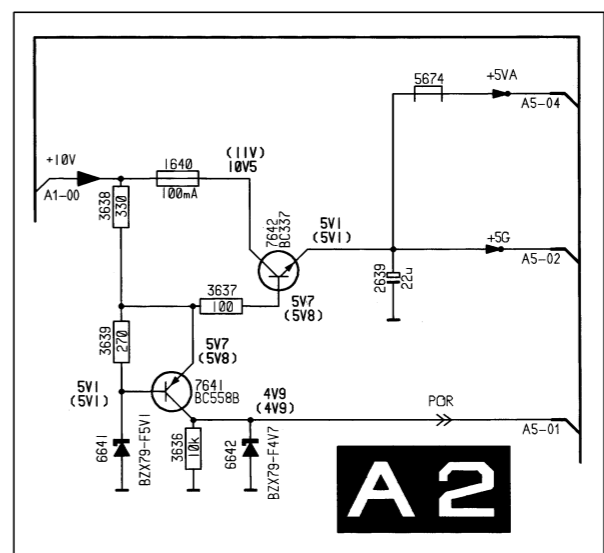


A1



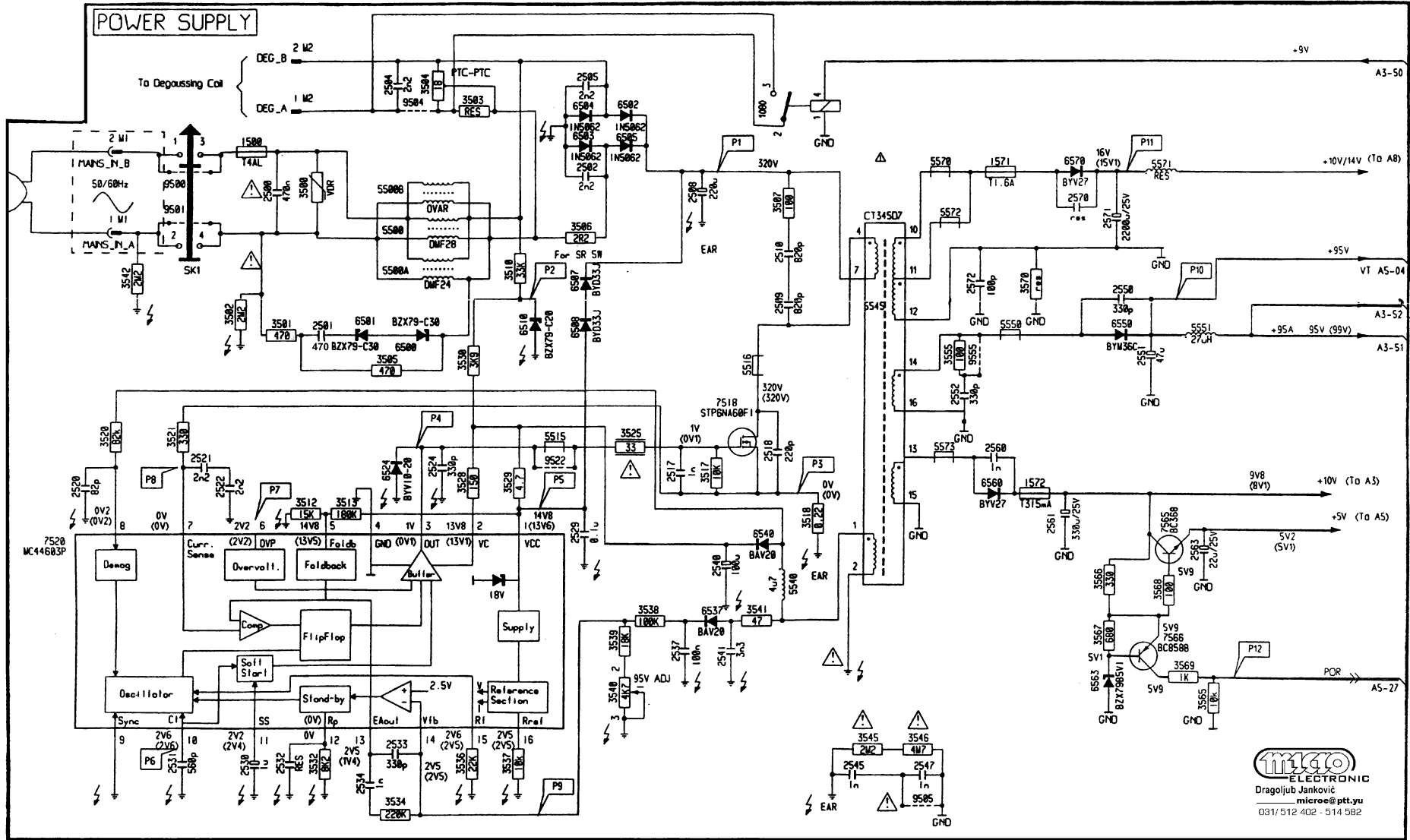
micro
ELECTRONIC
Dragoljub Janković
micro@ptt.yu
031/512 402 - 514 582

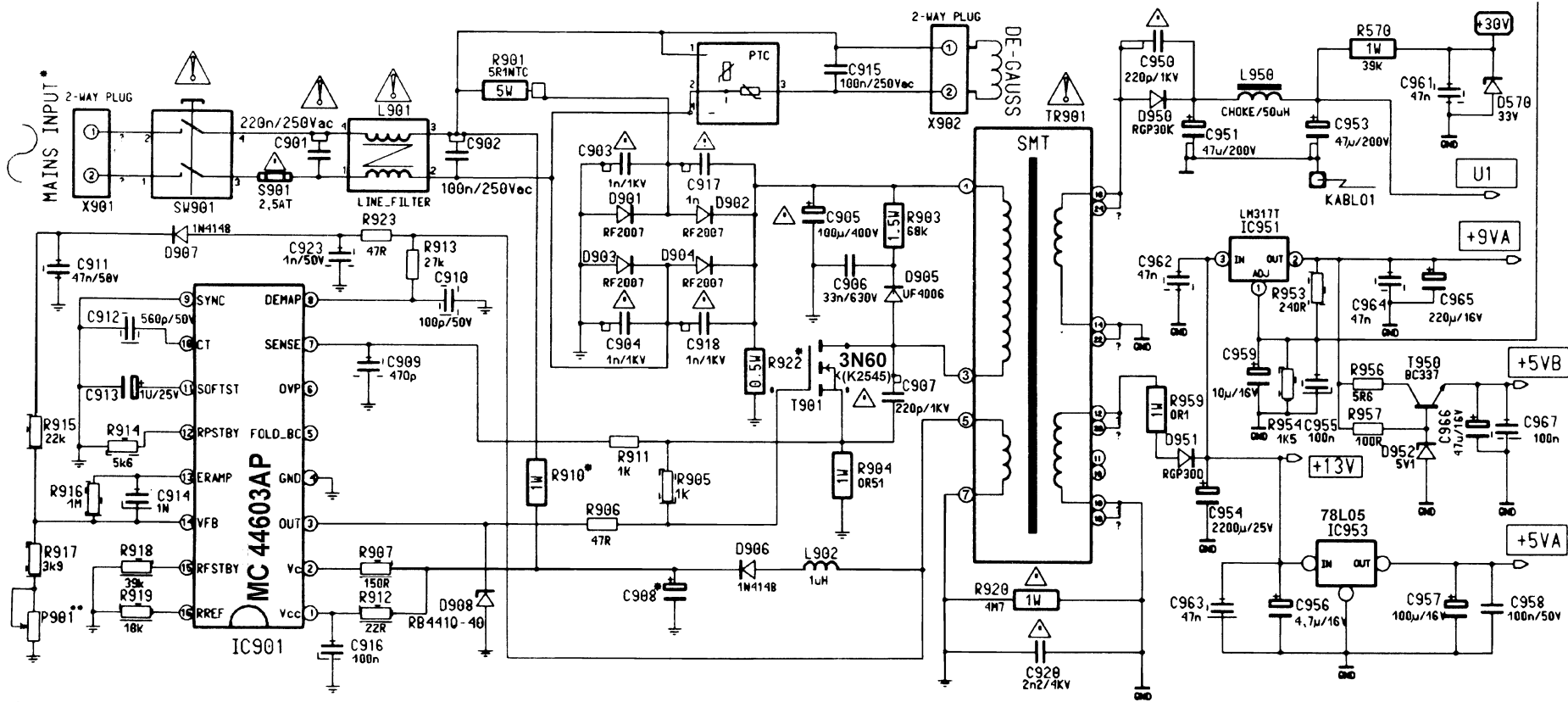


A2

- P1 86V DC
- P2 8V DC
- P3 0V DC
- P3 0V7 DC
- P5 11V DC
- P9 1V6 DC
- P10 2V5 DC

POWER SUPPLY





Subject to change without notice

Operation Range 105VAC~270VAC: R910= 47K; R922=470K; C908=68µF
 Operation Range 140VAC~270VAC: R910=120K; R922= -- ; C908=47µF

14"	SAMSUNG CPT:	U1=108V	U2=185V; P901=1k5
14"	LG CPT:	U1=104V	U2=185V; P901=1k5
14"	PHILIPS CPT:	U1=107V	U2=185V; P901=1k5
14"	IRICO CPT:	U1=113V	U2=185V; P901=1k5
20"	SAMSUNG CPT:	U1=121V	U2=220V; P901=2k2
20"	LG CPT:	U1=117V	U2=220V; P901=2k2
21"	SAMSUNG CPT:	U1=119V	U2=220V; P901=2k2
21"	LG CPT:	U1=113V	U2=220V; P901=2k2

