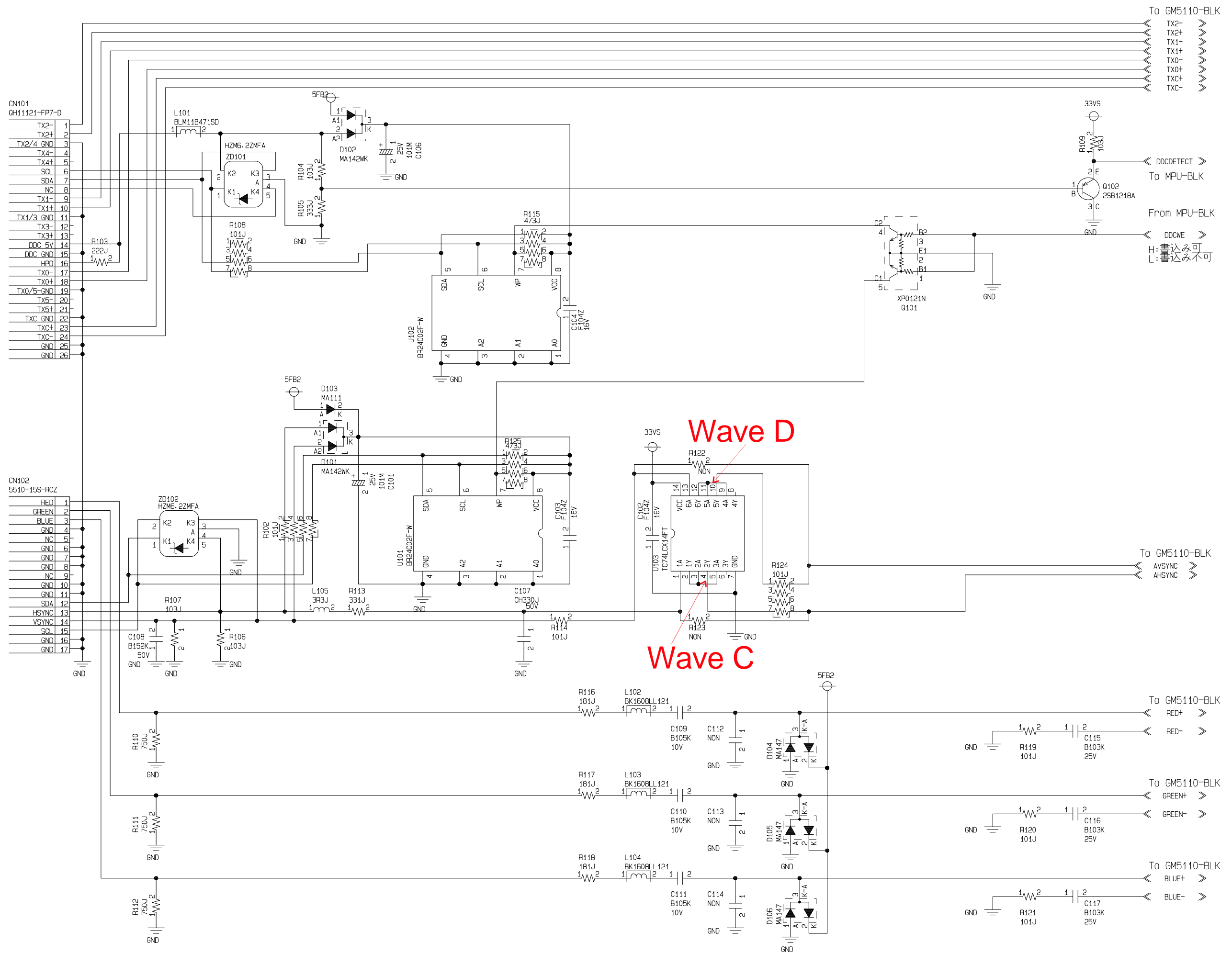
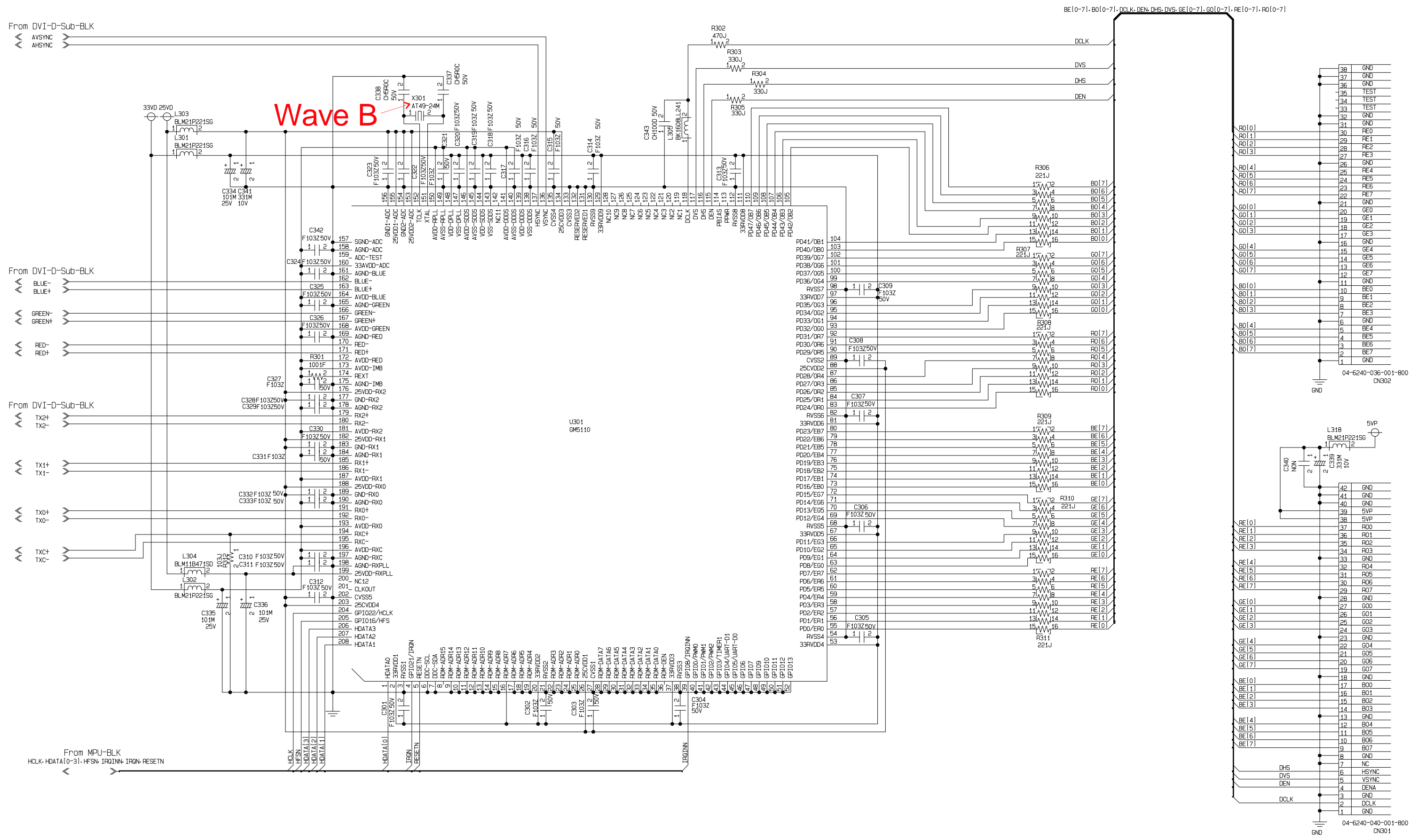


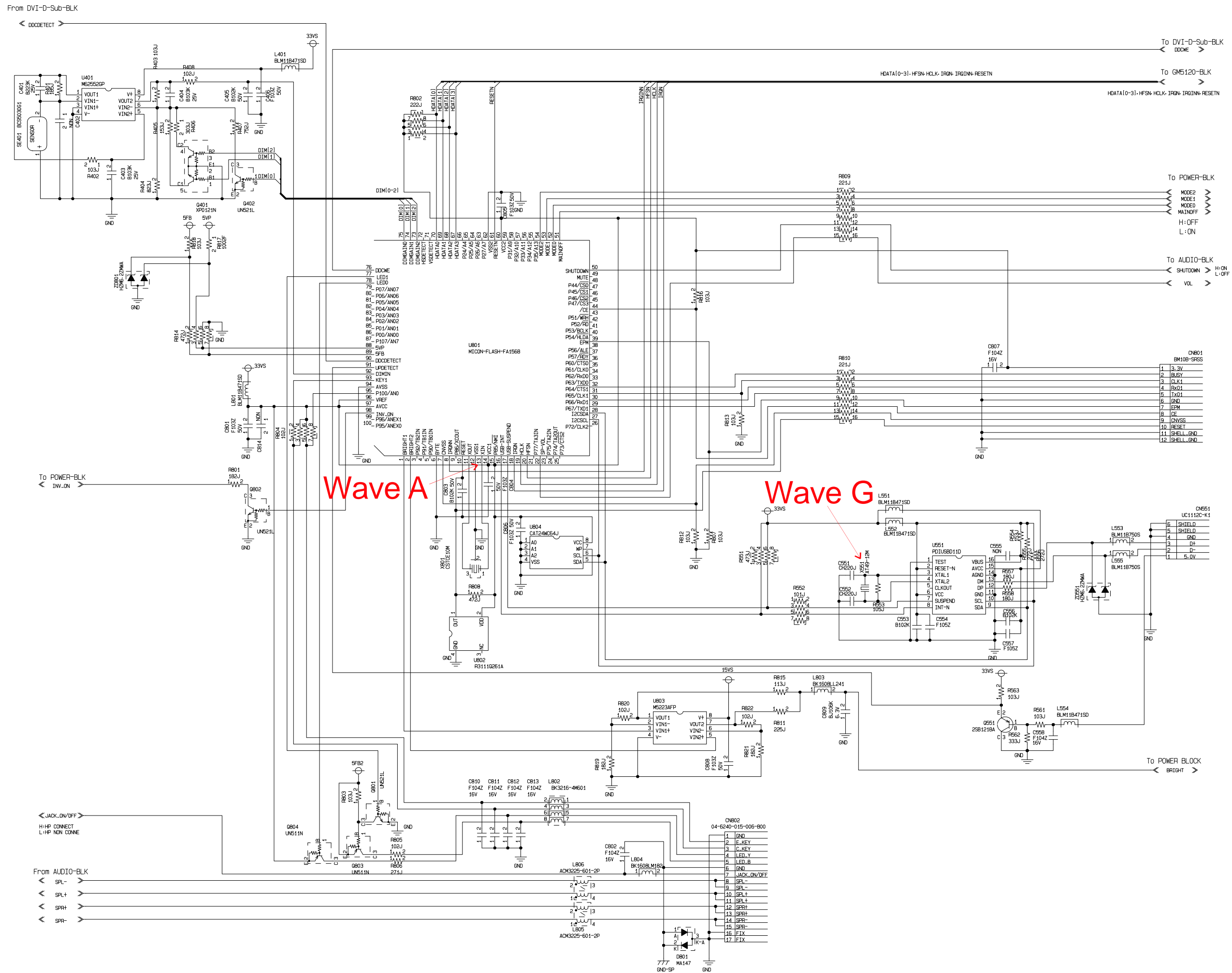
L367 (FA-1568) BLOCK Diagram & CONNECTION Diagram



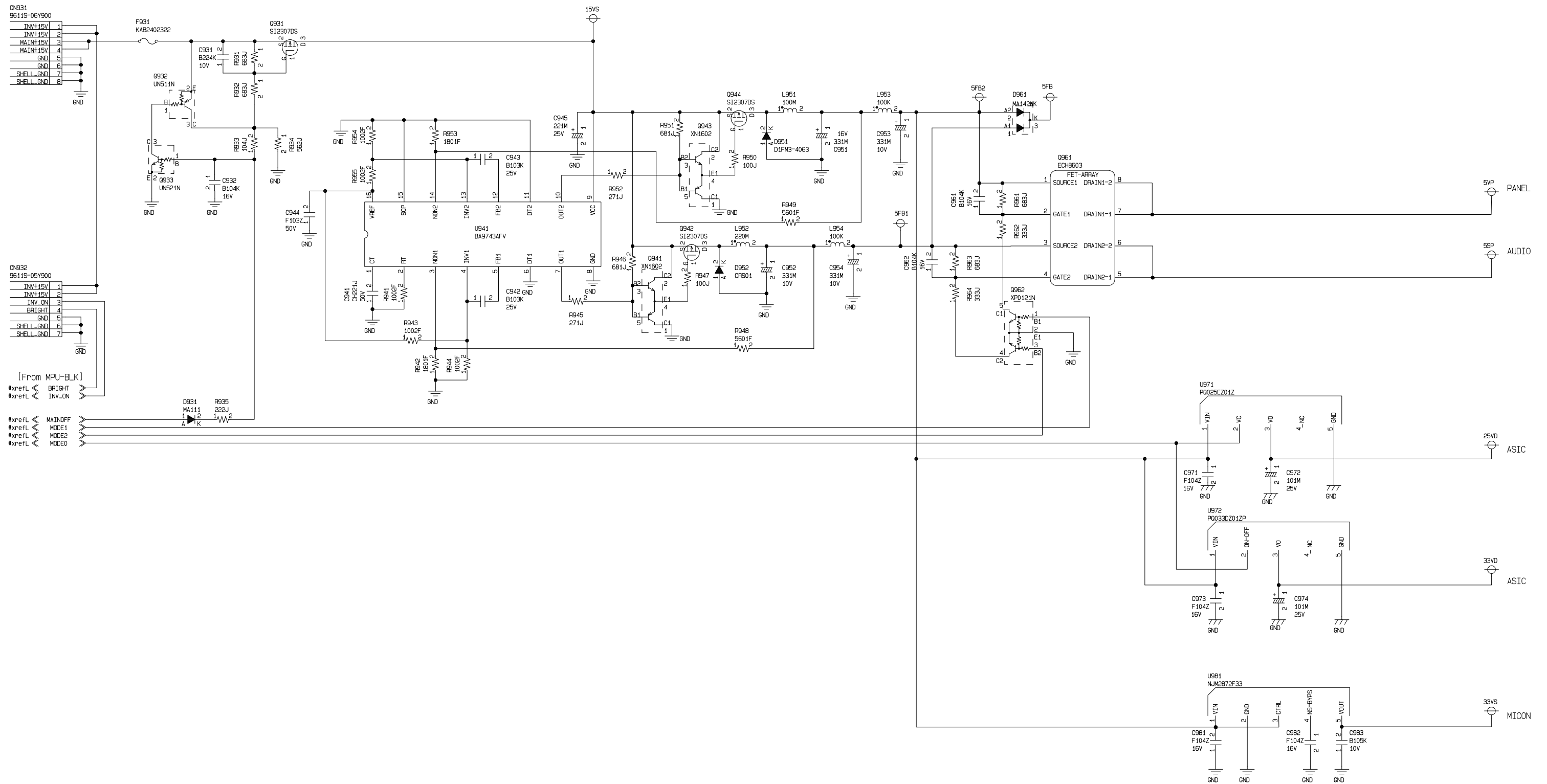
L367 (FA-1568) SCHEMATIC DIAGRAM for PCB-MAIN(5A90118) 1/5



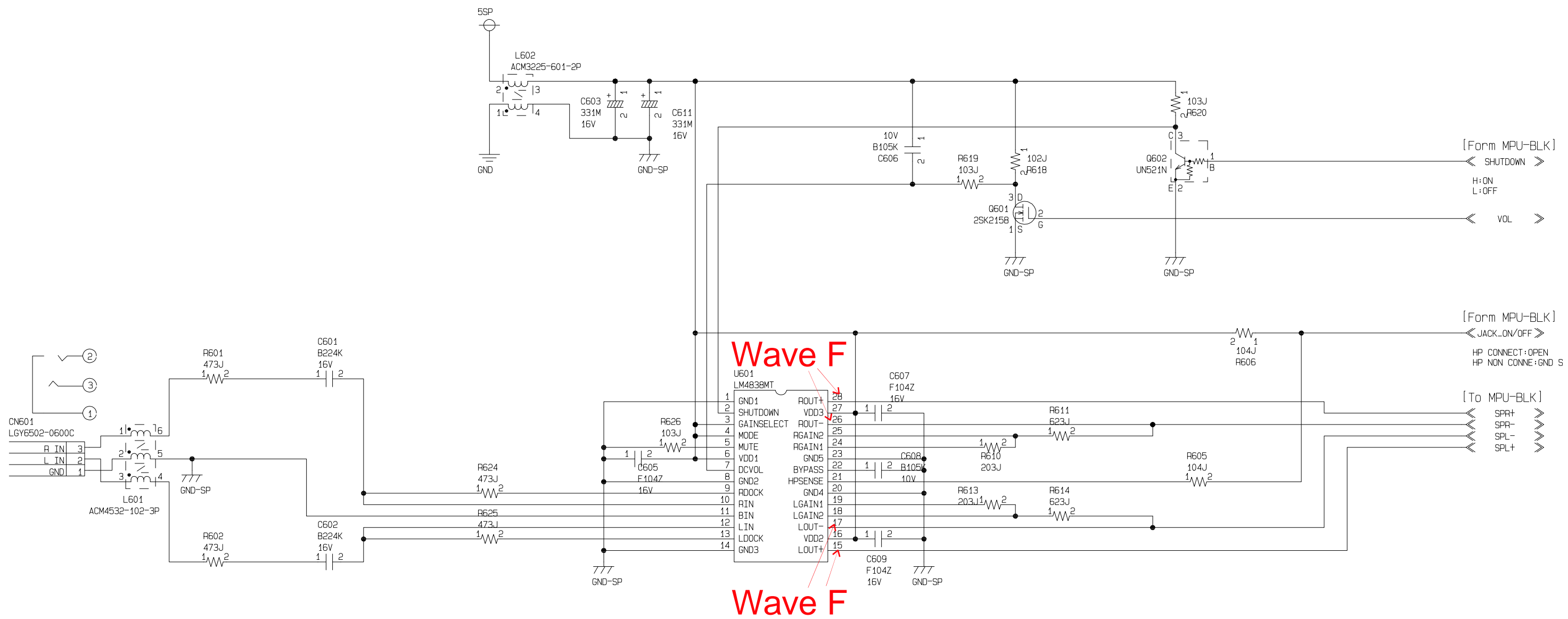
L367 (FA-1568) SCHEMATIC DIAGRAM for PCB-MAIN(5A90118) 2/5



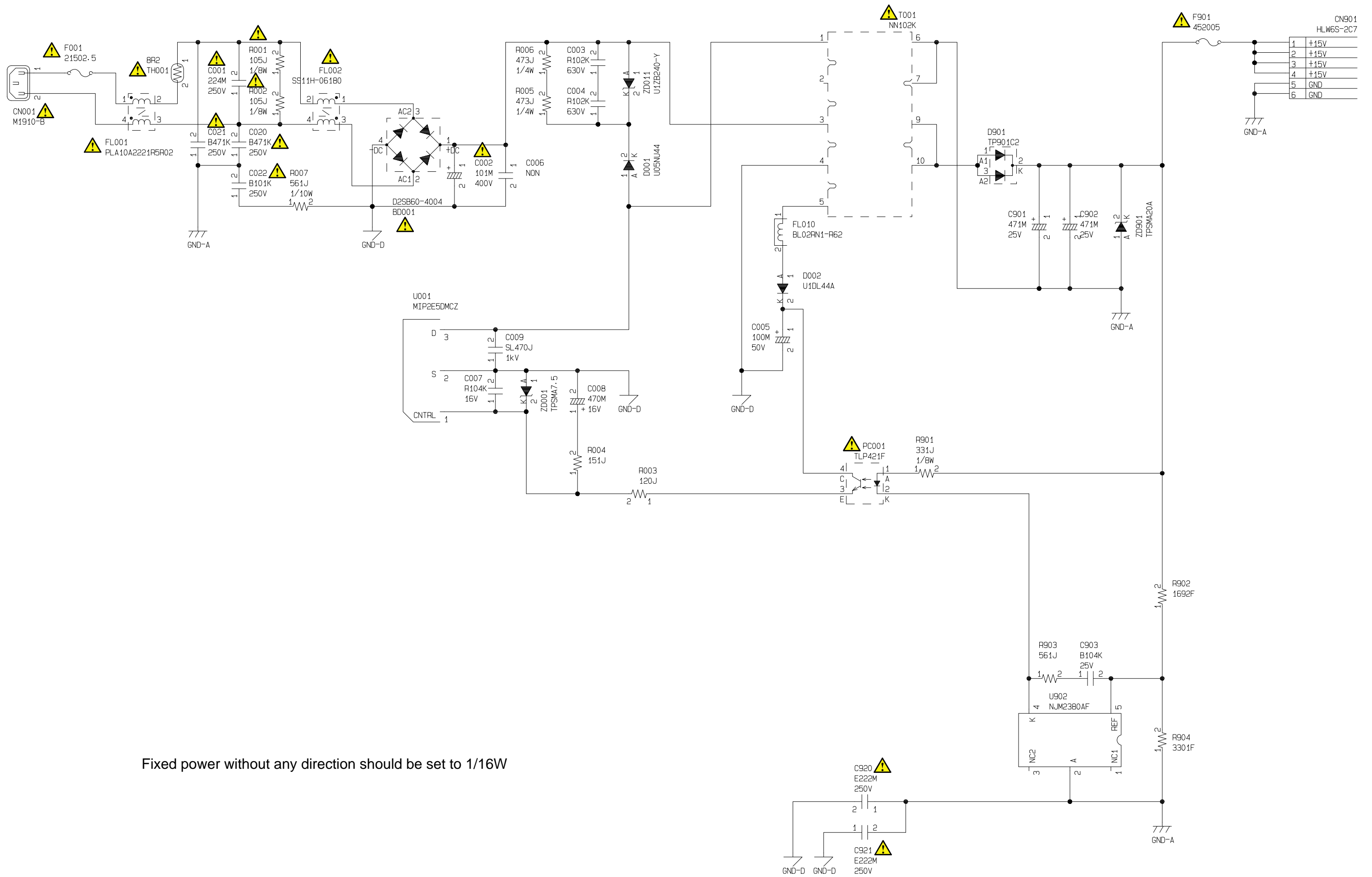
L367 (FA-1568) SCHEMATIC DIAGRAM for PCB-MAIN(5A9018) 3/5



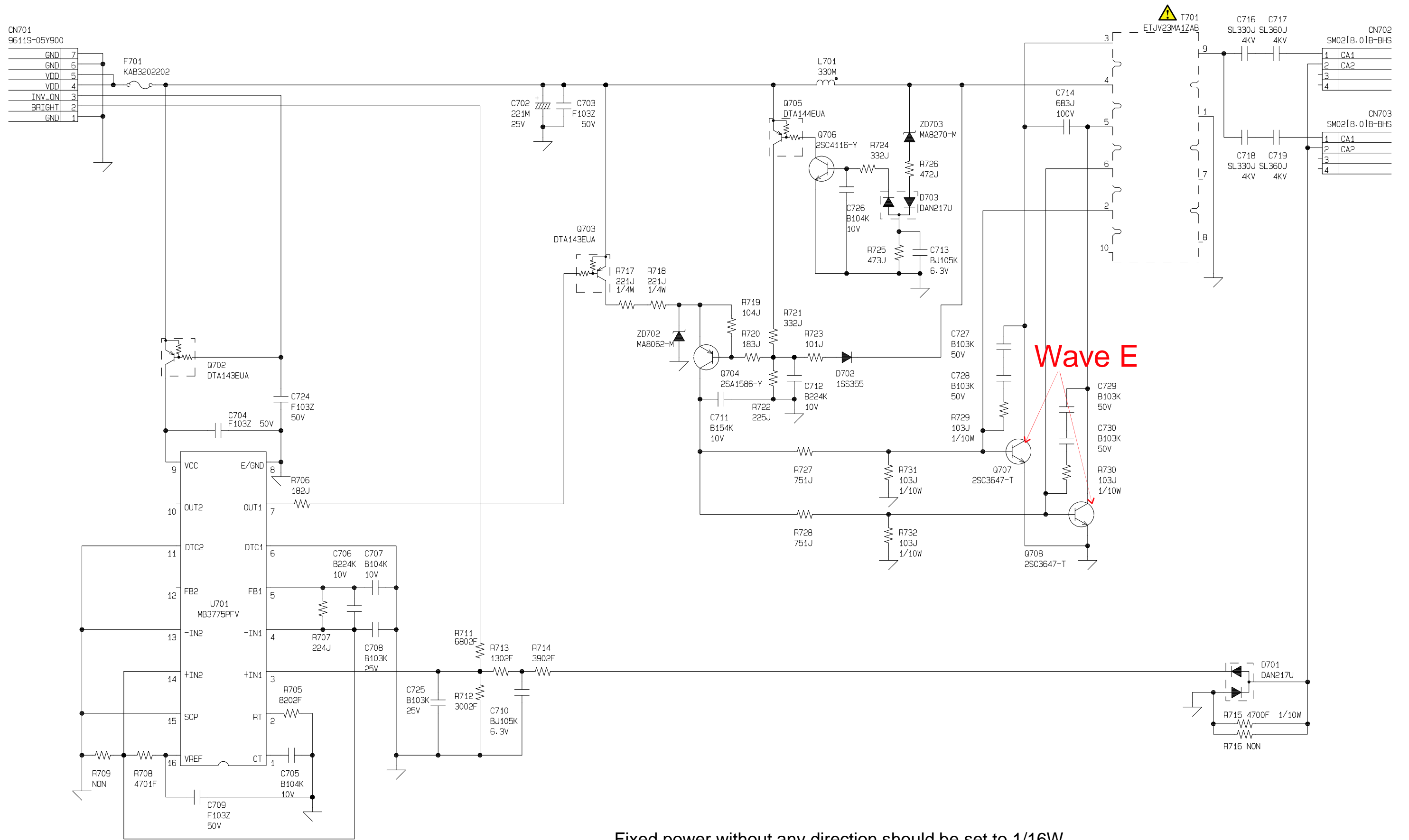
L367 (FA-1568) SCHEMATIC DIAGRAM for PCB-MAIN(5A90118) 4/5



L367 (FA-1568) SCHEMATIC DIAGRAM for PCB-MAIN(5A90118) 5/5

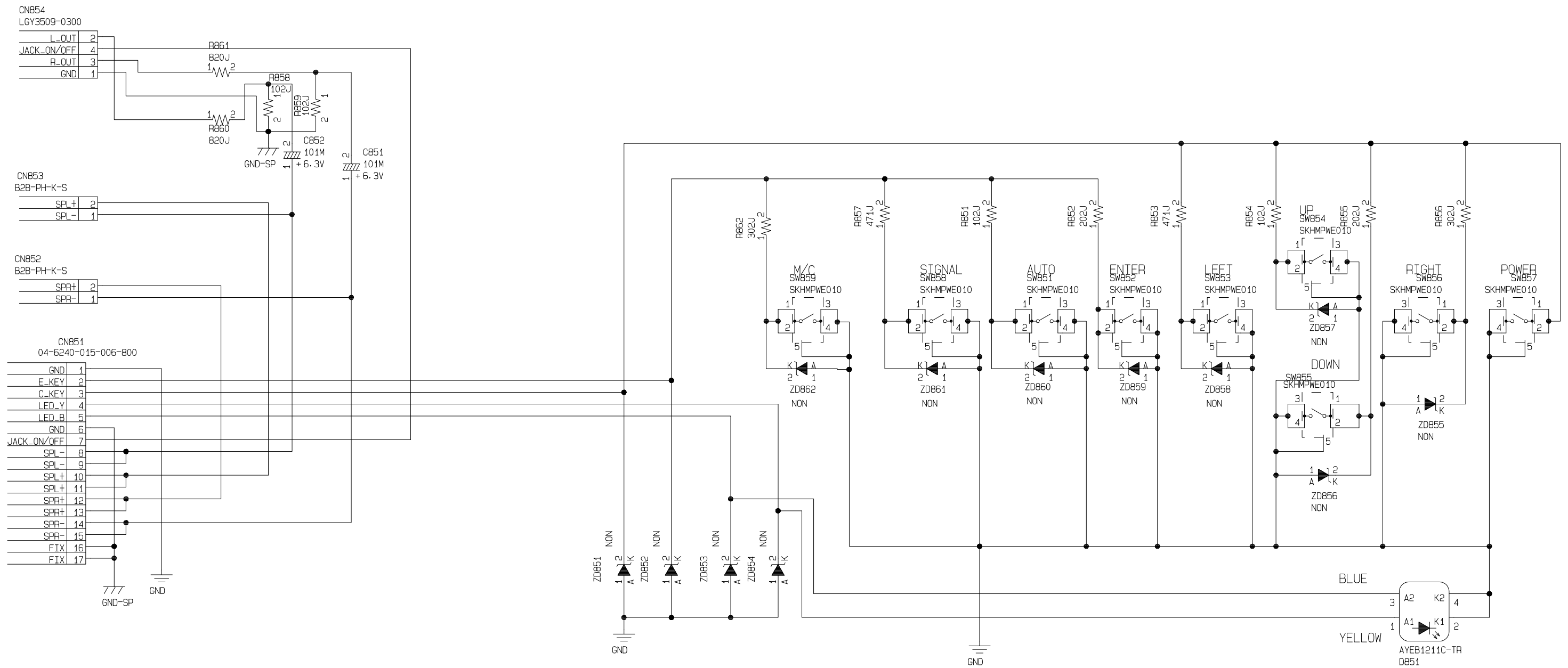


L367 (FA-1568) SCHEMATIC DIAGRAM for PCB-POWER (5A90124)



Fixed power without any direction should be set to 1/16W





L367 (FA-1568) SCHEMATIC DIAGRAM for PCB-SW (5A90119)