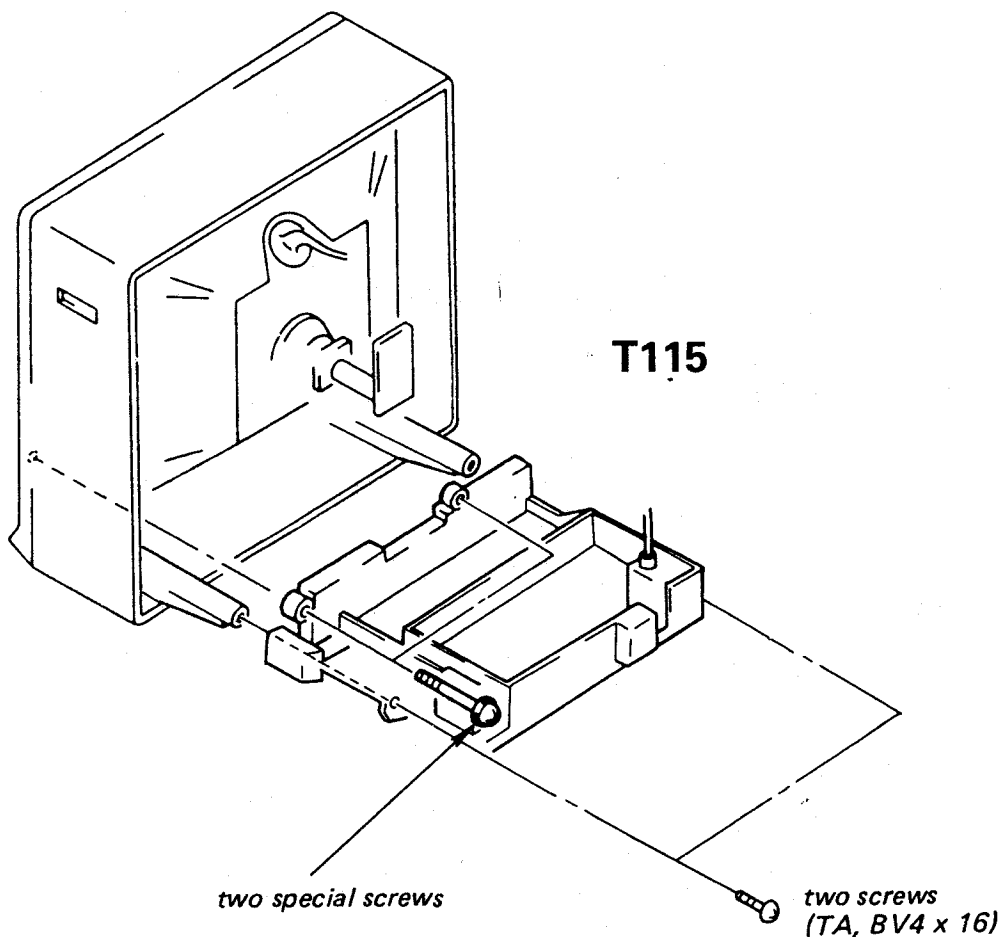


SONY

PE-3 Chassis, Models KV-2252UB, KV-2256UB, KV-2752UB, KV-2756UB

General Description: A mains-operated colour television receiver chassis used as the basis of a number of models. This chassis features infra-red remote control and a switch-mode power supply. Care should be exercised when servicing the power supply section as the associated circuitry is 'live' irrespective of mains connection. Alternative versions of the line and R.G.B. stages are employed. Both types are given here.

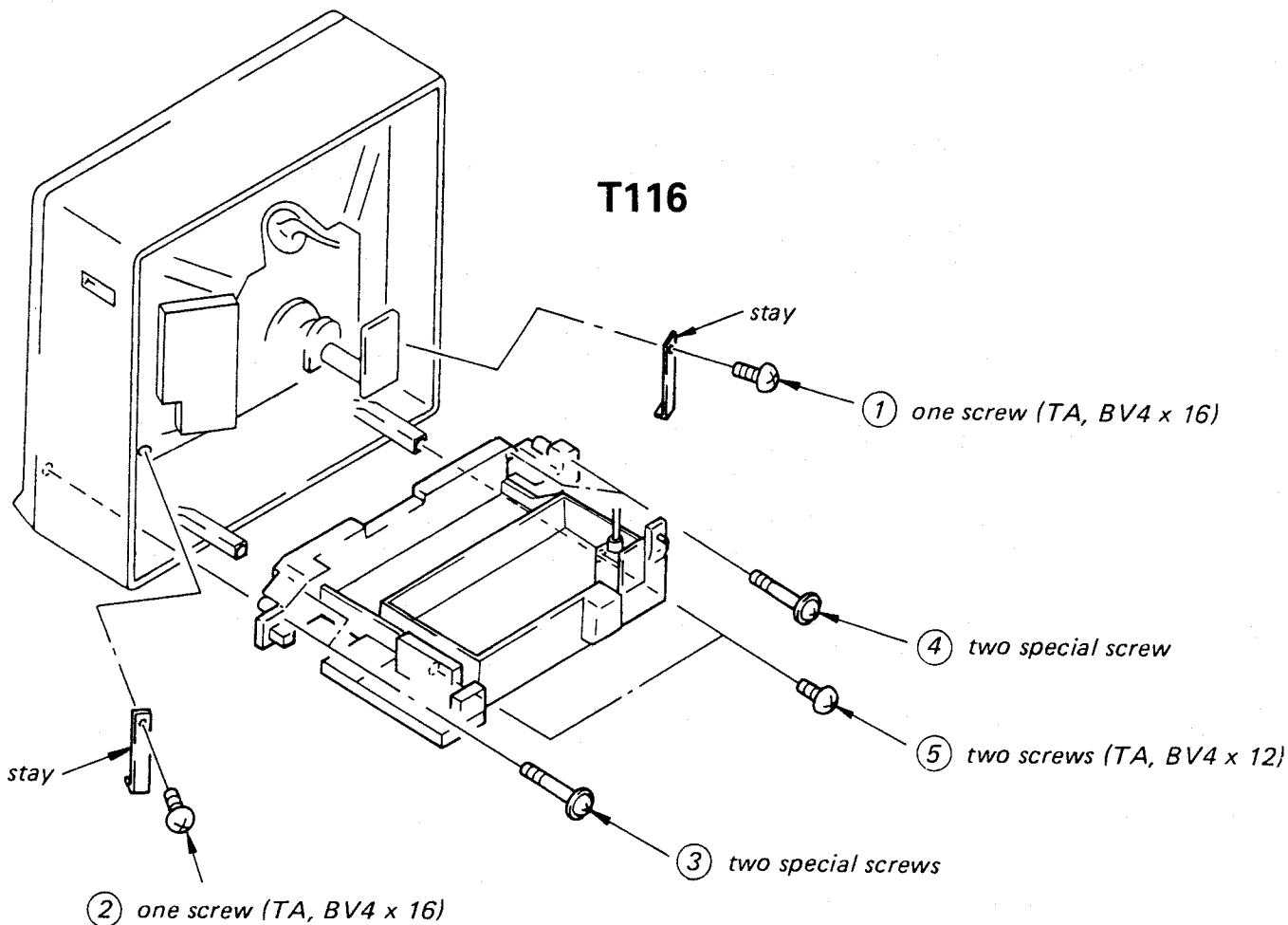
Mains Supply: 240 volts, 50Hz.



(T115) ACCESS TO MAIN 'D' BOARD—MODELS KV2252, KV2256, KV2756

SONY

T116



(T116) ACCESS TO MAIN 'D' BOARD—MODEL KV2752

Service Note

If it is found that the power supply fails after 1–2 hours and as a result of that failure, Q603 and Q802 are found to be short-circuit, please note the following:

(a). Ensure when replacing Q603 and Q802 that the correct transistors are fitted.

Q603 MUST BE type 2SD 1497-02 Part No. 8-729-301-00

Q802 MUST BE type 2SD 1497-06 Part No. 8-729-300-90

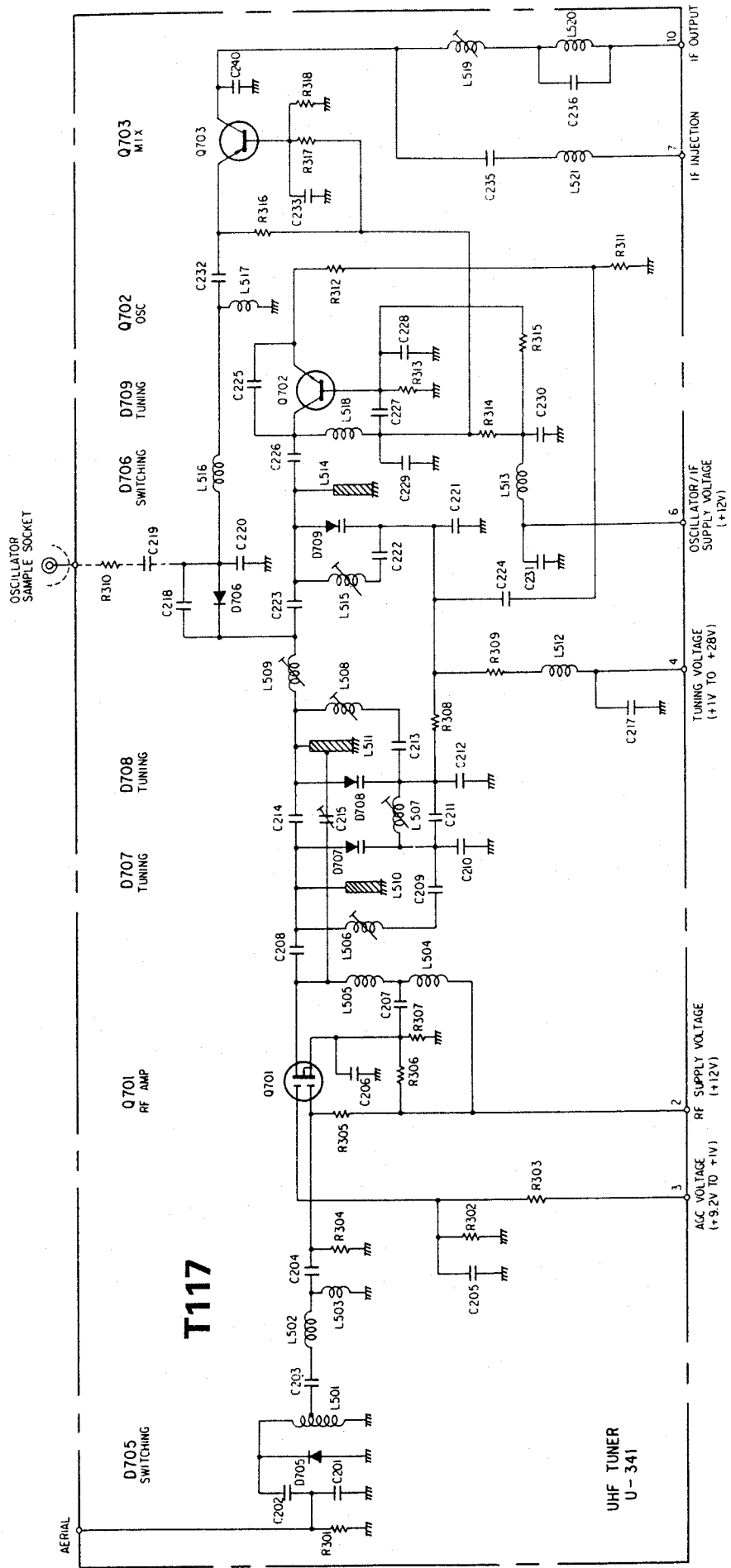
(b). As a precaution please include the following circuit changes to the power supply limiter.

1. R616 to be changed from 100 ohms $\frac{1}{4}$ W to 330 ohms $\frac{1}{4}$ W.

2. An additional resistor R612A 2.7 ohms $\frac{1}{4}$ W to be added in parallel with R612.

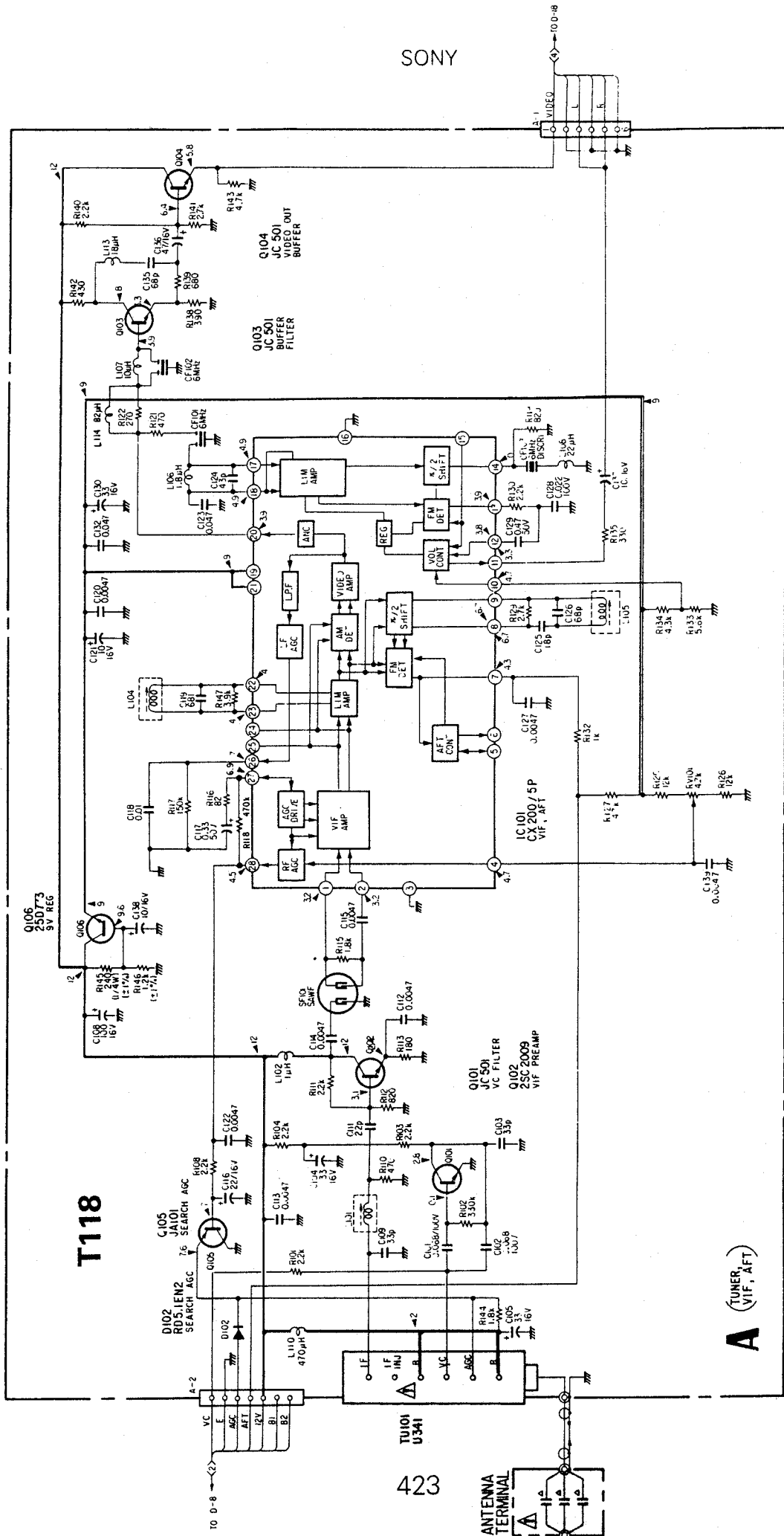
3. An additional resistor R617 6.8k ohms $\frac{1}{4}$ W to be added between pins 5 and 8 of IC651.

This only applies to KV2252UB before Serial No. 504001 and KV2256UB before Serial No. 501001.

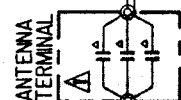


(T117) CIRCUIT DIAGRAM (TUNER TYPE U341)—MODELS KV2252 ETC.

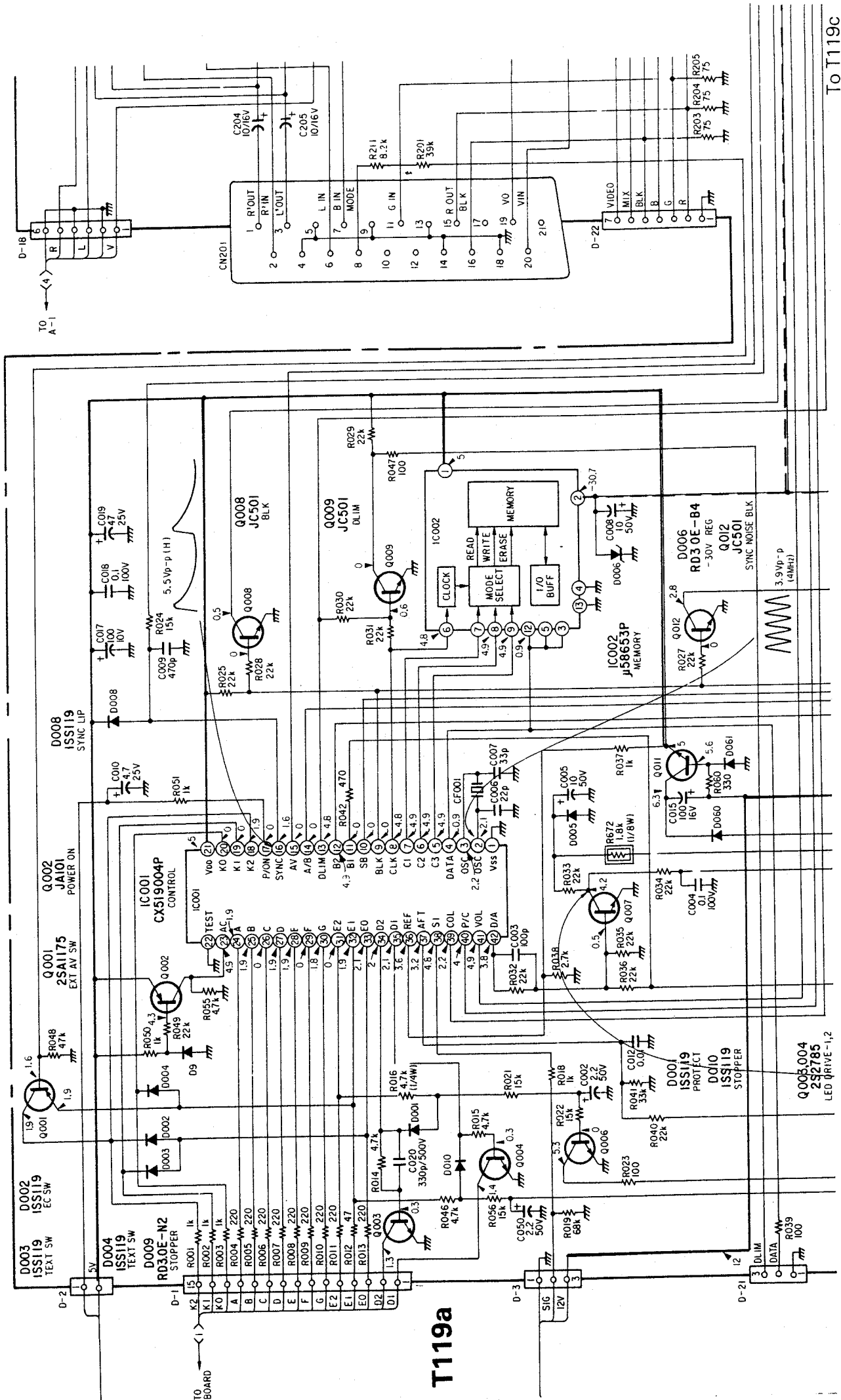
SONY



(T118) CIRCUIT DIAGRAM (I.F. STAGES)—MODELS KV2252 ETC.



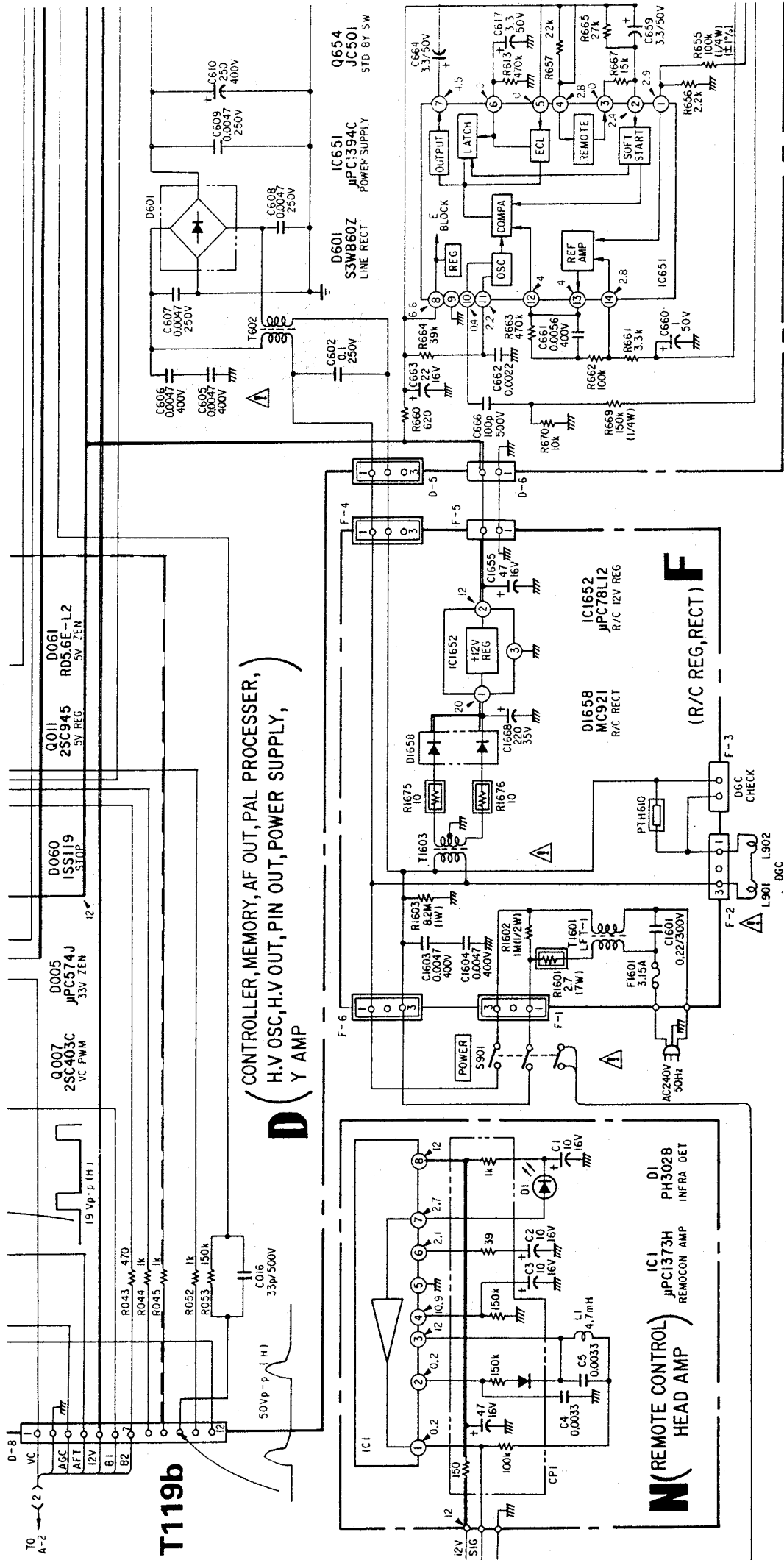
A (TUNER, AFT)
(VIF, AFT)



T119a

(T119a) CIRCUIT DIAGRAM—MODELS KV2252 ETC. (PART)

To T119c



(T119b) CIRCUIT DIAGRAM—MODELS KV2252 ETC. (PART)

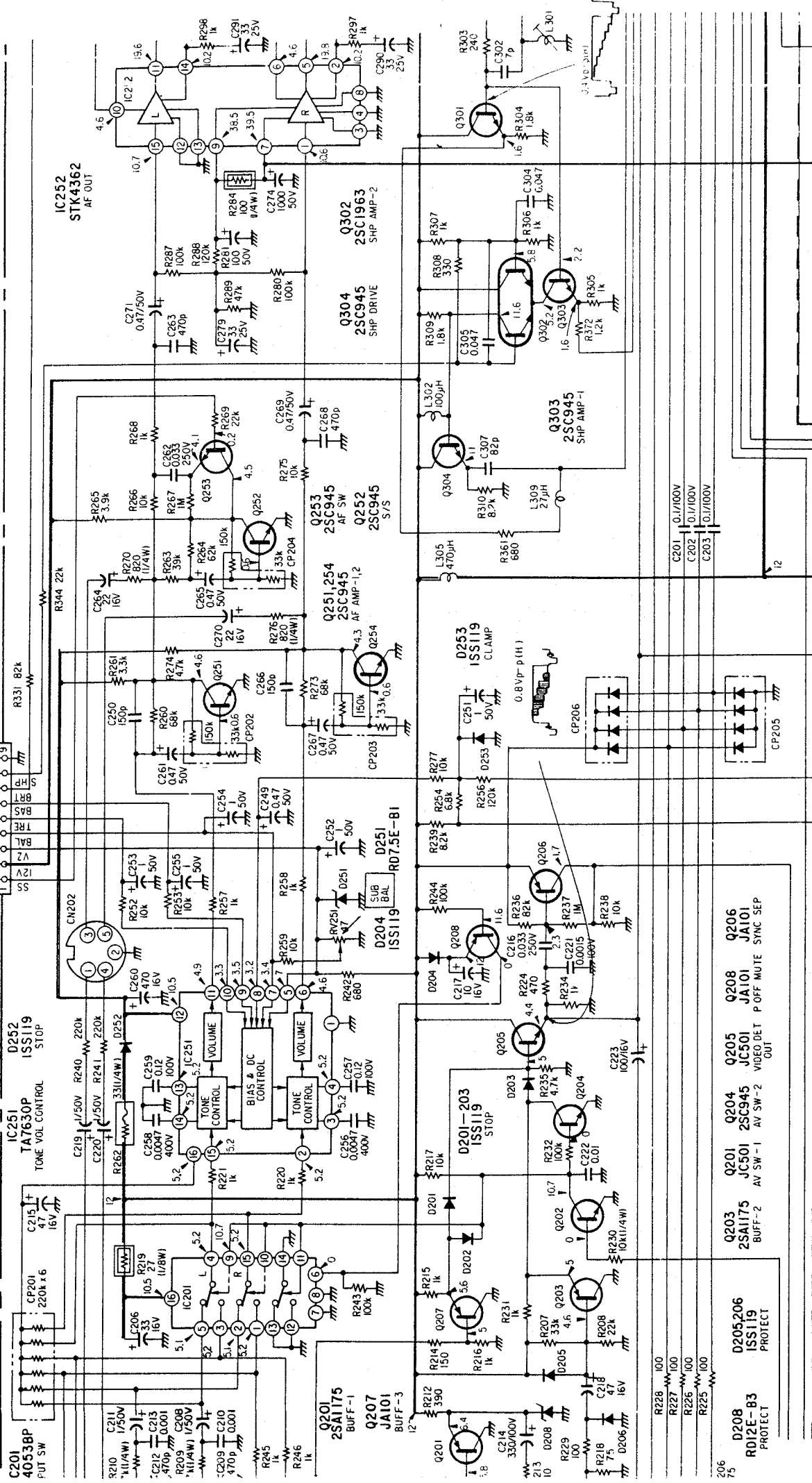
To T119d

T119b

T119c

TO H BOARD (3)

TO T119e

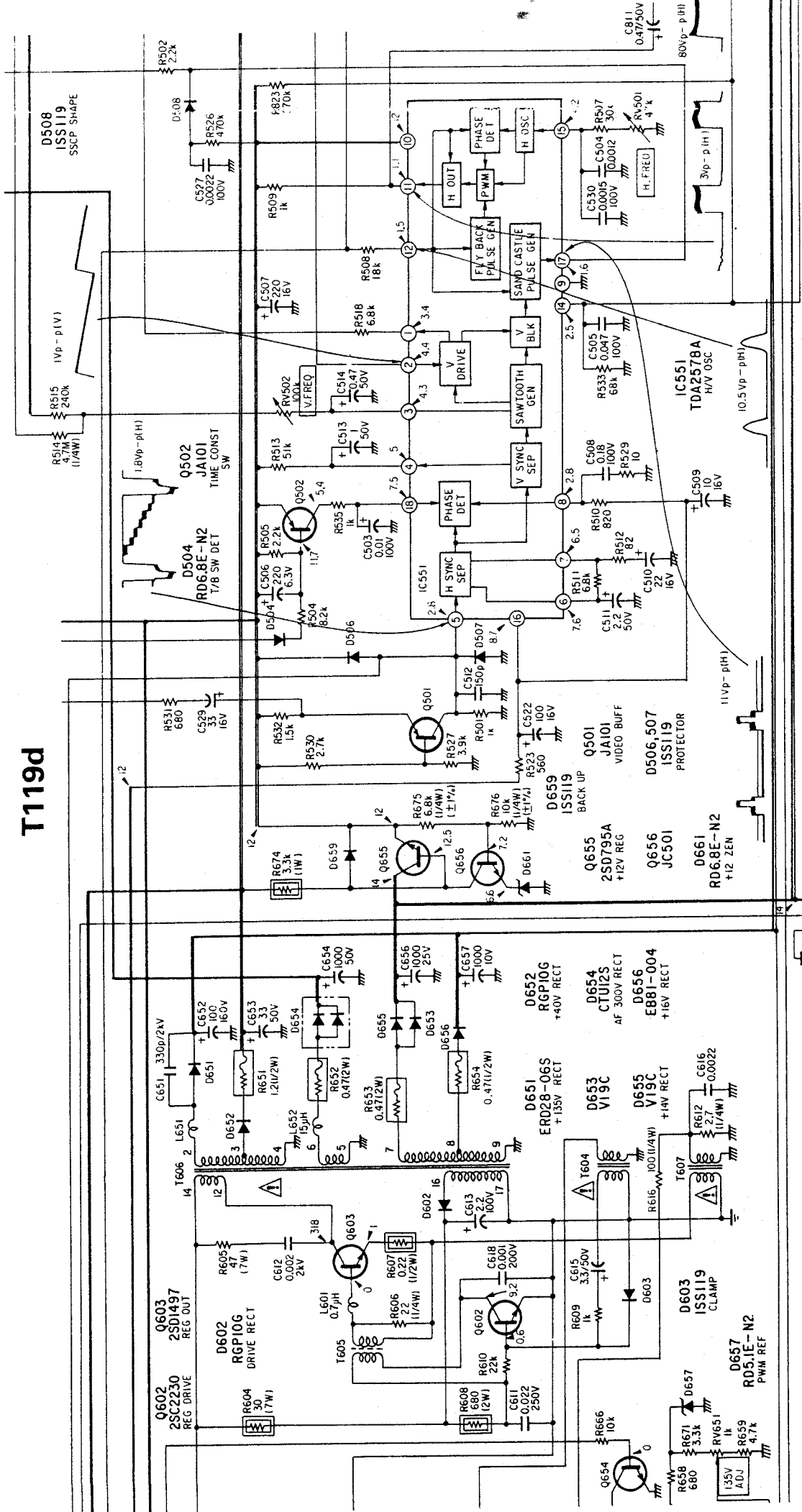


- Q201 25A1175 BUFF-1
- Q202 25A1175 BUFF-2
- Q203 25A1175 BUFF-3
- Q204 25A1175 BUFF-4
- Q205 25A1175 BUFF-5
- Q206 25A1175 BUFF-6
- Q207 25A1175 BUFF-7
- Q208 25A1175 BUFF-8
- Q209 25A1175 BUFF-9
- Q210 25A1175 BUFF-10
- Q211 25A1175 BUFF-11
- Q212 25A1175 BUFF-12
- Q213 25A1175 BUFF-13
- Q214 25A1175 BUFF-14
- Q215 25A1175 BUFF-15
- Q216 25A1175 BUFF-16
- Q217 25A1175 BUFF-17
- Q218 25A1175 BUFF-18
- Q219 25A1175 BUFF-19
- Q220 25A1175 BUFF-20
- Q221 25A1175 BUFF-21
- Q222 25A1175 BUFF-22
- Q223 25A1175 BUFF-23
- Q224 25A1175 BUFF-24
- Q225 25A1175 BUFF-25
- Q226 25A1175 BUFF-26
- Q227 25A1175 BUFF-27
- Q228 25A1175 BUFF-28
- Q229 25A1175 BUFF-29
- Q230 25A1175 BUFF-30
- Q231 25A1175 BUFF-31
- Q232 25A1175 BUFF-32
- Q233 25A1175 BUFF-33
- Q234 25A1175 BUFF-34
- Q235 25A1175 BUFF-35
- Q236 25A1175 BUFF-36
- Q237 25A1175 BUFF-37
- Q238 25A1175 BUFF-38
- Q239 25A1175 BUFF-39
- Q240 25A1175 BUFF-40
- Q241 25A1175 BUFF-41
- Q242 25A1175 BUFF-42
- Q243 25A1175 BUFF-43
- Q244 25A1175 BUFF-44
- Q245 25A1175 BUFF-45
- Q246 25A1175 BUFF-46
- Q247 25A1175 BUFF-47
- Q248 25A1175 BUFF-48
- Q249 25A1175 BUFF-49
- Q250 25A1175 BUFF-50
- Q251 25A1175 BUFF-51
- Q252 25A1175 BUFF-52
- Q253 25A1175 BUFF-53
- Q254 25A1175 BUFF-54
- Q255 25A1175 BUFF-55
- Q256 25A1175 BUFF-56
- Q257 25A1175 BUFF-57
- Q258 25A1175 BUFF-58
- Q259 25A1175 BUFF-59
- Q260 25A1175 BUFF-60
- Q261 25A1175 BUFF-61
- Q262 25A1175 BUFF-62
- Q263 25A1175 BUFF-63
- Q264 25A1175 BUFF-64
- Q265 25A1175 BUFF-65
- Q266 25A1175 BUFF-66
- Q267 25A1175 BUFF-67
- Q268 25A1175 BUFF-68
- Q269 25A1175 BUFF-69
- Q270 25A1175 BUFF-70
- Q271 25A1175 BUFF-71
- Q272 25A1175 BUFF-72
- Q273 25A1175 BUFF-73
- Q274 25A1175 BUFF-74
- Q275 25A1175 BUFF-75
- Q276 25A1175 BUFF-76
- Q277 25A1175 BUFF-77
- Q278 25A1175 BUFF-78
- Q279 25A1175 BUFF-79
- Q280 25A1175 BUFF-80
- Q281 25A1175 BUFF-81
- Q282 25A1175 BUFF-82
- Q283 25A1175 BUFF-83
- Q284 25A1175 BUFF-84
- Q285 25A1175 BUFF-85
- Q286 25A1175 BUFF-86
- Q287 25A1175 BUFF-87
- Q288 25A1175 BUFF-88
- Q289 25A1175 BUFF-89
- Q290 25A1175 BUFF-90
- Q291 25A1175 BUFF-91
- Q292 25A1175 BUFF-92
- Q293 25A1175 BUFF-93
- Q294 25A1175 BUFF-94
- Q295 25A1175 BUFF-95
- Q296 25A1175 BUFF-96
- Q297 25A1175 BUFF-97
- Q298 25A1175 BUFF-98
- Q299 25A1175 BUFF-99
- Q300 25A1175 BUFF-100
- Q301 25A1175 BUFF-101
- Q302 25A1175 BUFF-102
- Q303 25A1175 BUFF-103
- Q304 25A1175 BUFF-104
- Q305 25A1175 BUFF-105
- Q306 25A1175 BUFF-106
- Q307 25A1175 BUFF-107
- Q308 25A1175 BUFF-108
- Q309 25A1175 BUFF-109
- Q310 25A1175 BUFF-110
- Q311 25A1175 BUFF-111
- Q312 25A1175 BUFF-112
- Q313 25A1175 BUFF-113
- Q314 25A1175 BUFF-114
- Q315 25A1175 BUFF-115
- Q316 25A1175 BUFF-116
- Q317 25A1175 BUFF-117
- Q318 25A1175 BUFF-118
- Q319 25A1175 BUFF-119
- Q320 25A1175 BUFF-120
- Q321 25A1175 BUFF-121
- Q322 25A1175 BUFF-122
- Q323 25A1175 BUFF-123
- Q324 25A1175 BUFF-124
- Q325 25A1175 BUFF-125
- Q326 25A1175 BUFF-126
- Q327 25A1175 BUFF-127
- Q328 25A1175 BUFF-128
- Q329 25A1175 BUFF-129
- Q330 25A1175 BUFF-130
- Q331 25A1175 BUFF-131
- Q332 25A1175 BUFF-132
- Q333 25A1175 BUFF-133
- Q334 25A1175 BUFF-134
- Q335 25A1175 BUFF-135
- Q336 25A1175 BUFF-136
- Q337 25A1175 BUFF-137
- Q338 25A1175 BUFF-138
- Q339 25A1175 BUFF-139
- Q340 25A1175 BUFF-140
- Q341 25A1175 BUFF-141
- Q342 25A1175 BUFF-142
- Q343 25A1175 BUFF-143
- Q344 25A1175 BUFF-144
- Q345 25A1175 BUFF-145
- Q346 25A1175 BUFF-146
- Q347 25A1175 BUFF-147
- Q348 25A1175 BUFF-148
- Q349 25A1175 BUFF-149
- Q350 25A1175 BUFF-150
- Q351 25A1175 BUFF-151
- Q352 25A1175 BUFF-152
- Q353 25A1175 BUFF-153
- Q354 25A1175 BUFF-154
- Q355 25A1175 BUFF-155
- Q356 25A1175 BUFF-156
- Q357 25A1175 BUFF-157
- Q358 25A1175 BUFF-158
- Q359 25A1175 BUFF-159
- Q360 25A1175 BUFF-160
- Q361 25A1175 BUFF-161
- Q362 25A1175 BUFF-162
- Q363 25A1175 BUFF-163
- Q364 25A1175 BUFF-164
- Q365 25A1175 BUFF-165
- Q366 25A1175 BUFF-166
- Q367 25A1175 BUFF-167
- Q368 25A1175 BUFF-168
- Q369 25A1175 BUFF-169
- Q370 25A1175 BUFF-170
- Q371 25A1175 BUFF-171
- Q372 25A1175 BUFF-172
- Q373 25A1175 BUFF-173
- Q374 25A1175 BUFF-174
- Q375 25A1175 BUFF-175
- Q376 25A1175 BUFF-176
- Q377 25A1175 BUFF-177
- Q378 25A1175 BUFF-178
- Q379 25A1175 BUFF-179
- Q380 25A1175 BUFF-180
- Q381 25A1175 BUFF-181
- Q382 25A1175 BUFF-182
- Q383 25A1175 BUFF-183
- Q384 25A1175 BUFF-184
- Q385 25A1175 BUFF-185
- Q386 25A1175 BUFF-186
- Q387 25A1175 BUFF-187
- Q388 25A1175 BUFF-188
- Q389 25A1175 BUFF-189
- Q390 25A1175 BUFF-190
- Q391 25A1175 BUFF-191
- Q392 25A1175 BUFF-192
- Q393 25A1175 BUFF-193
- Q394 25A1175 BUFF-194
- Q395 25A1175 BUFF-195
- Q396 25A1175 BUFF-196
- Q397 25A1175 BUFF-197
- Q398 25A1175 BUFF-198
- Q399 25A1175 BUFF-199
- Q400 25A1175 BUFF-200

(T119c) CIRCUIT DIAGRAM—MODELS KV2252 ETC. (PART)

To T119a

T119d



To T119f

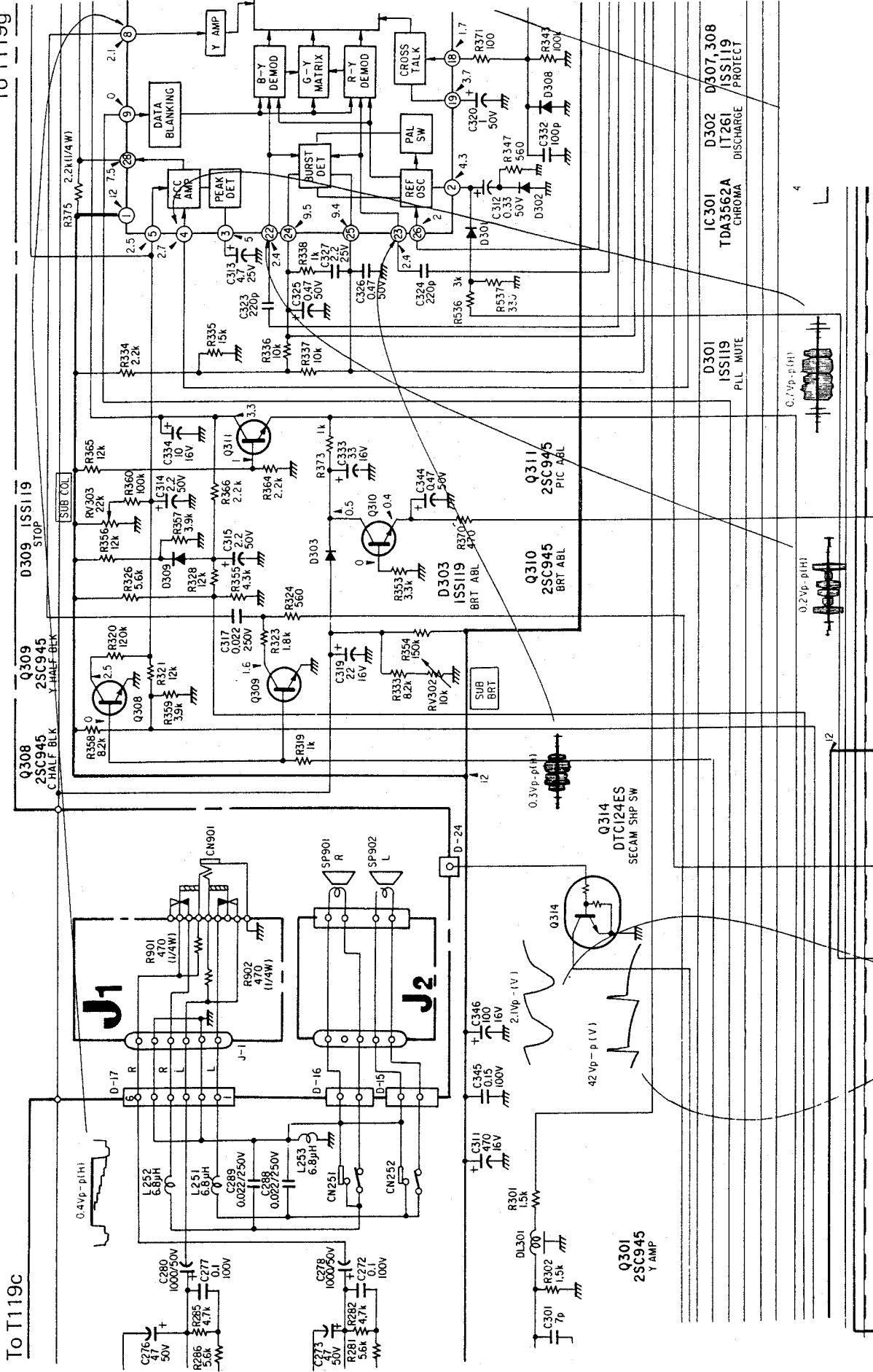
0-23

To T119b

(T119d) CIRCUIT DIAGRAM—MODELS KV252 ETC. (PART)

To T1199

T119e

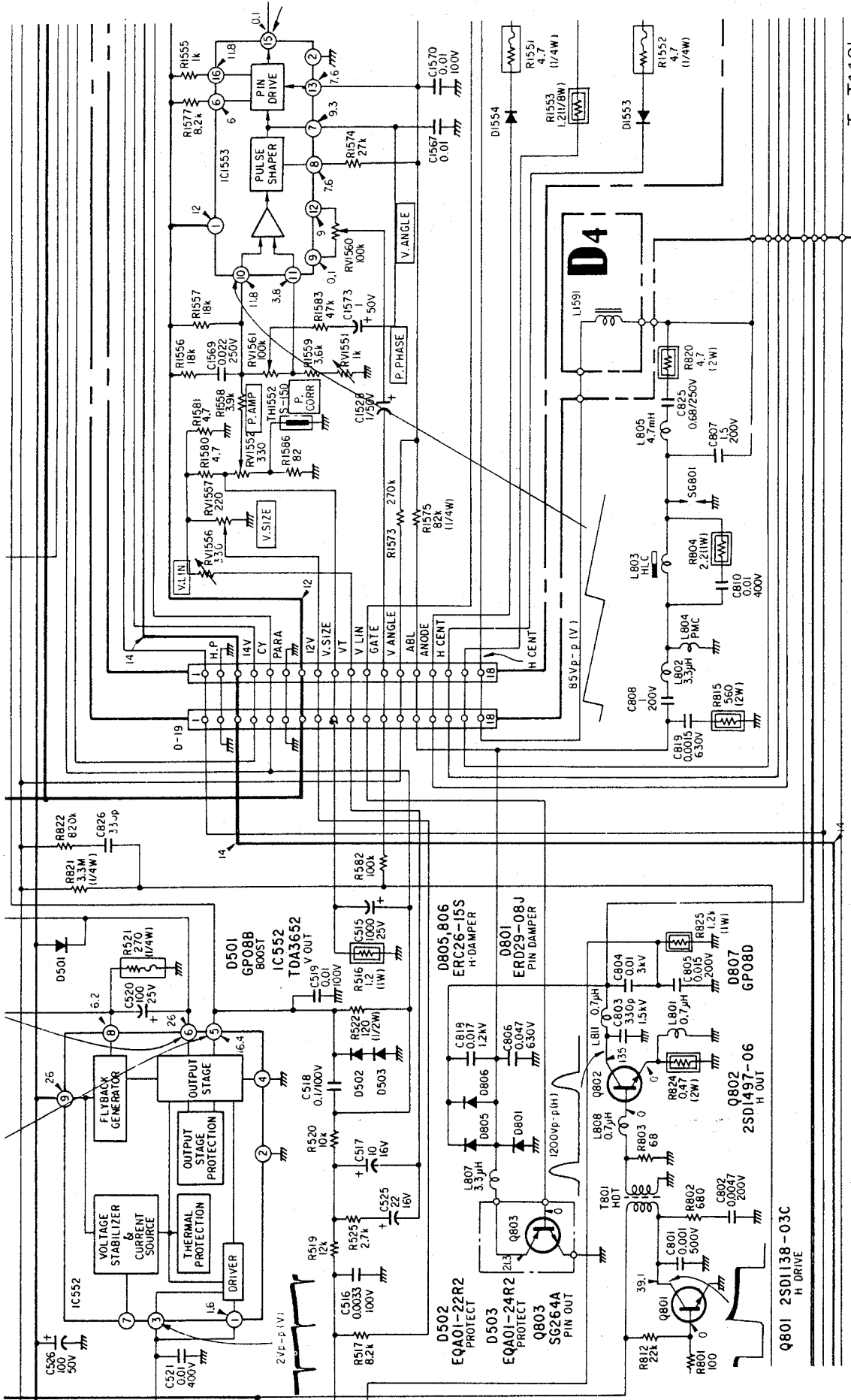


To T119c

(T119e) CIRCUIT DIAGRAM—MODELS KV2252 ETC. (PART)

T119f

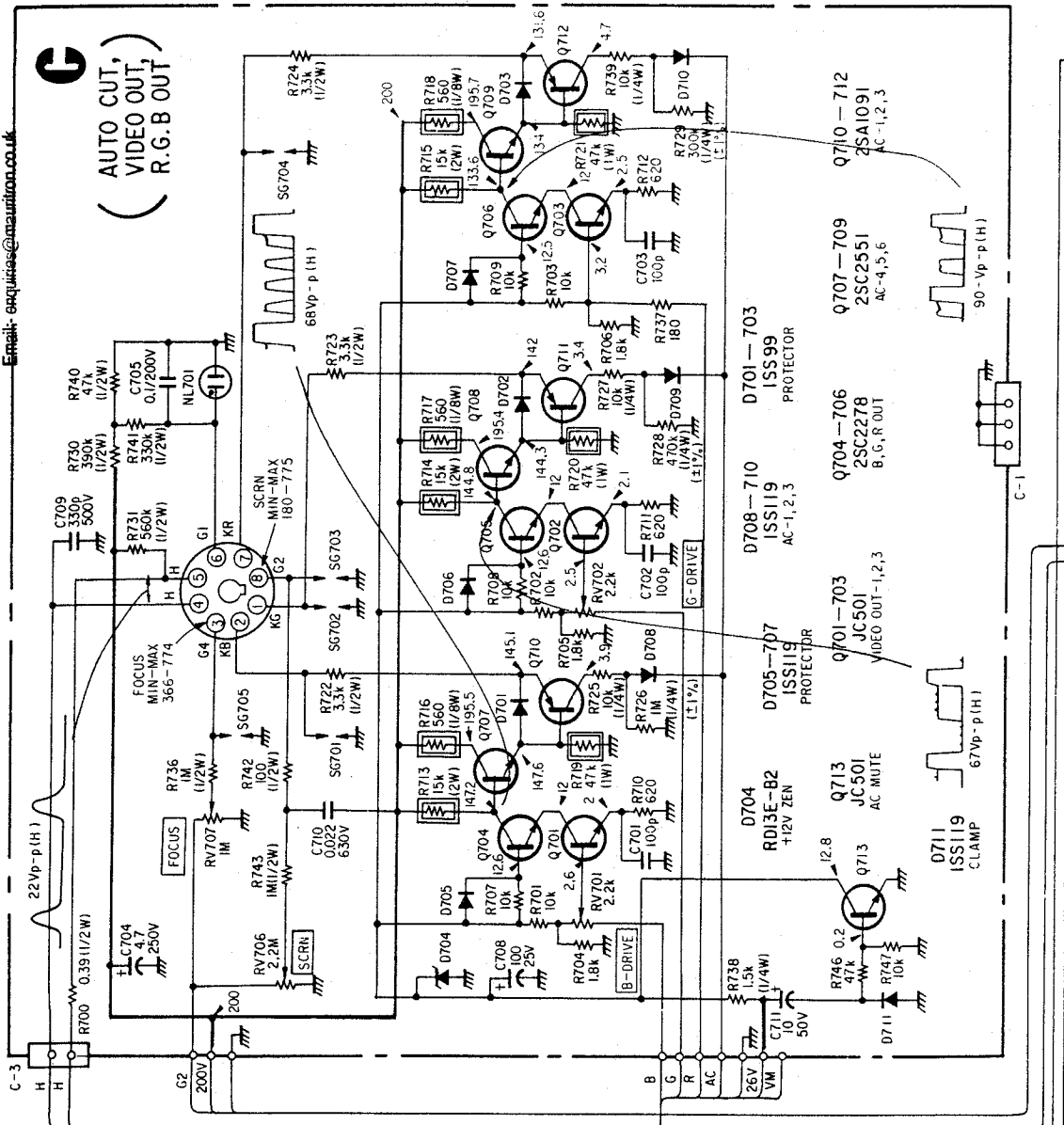
SONY



(T119f) CIRCUIT DIAGRAM—MODELS KV2252 ETC. (PART)

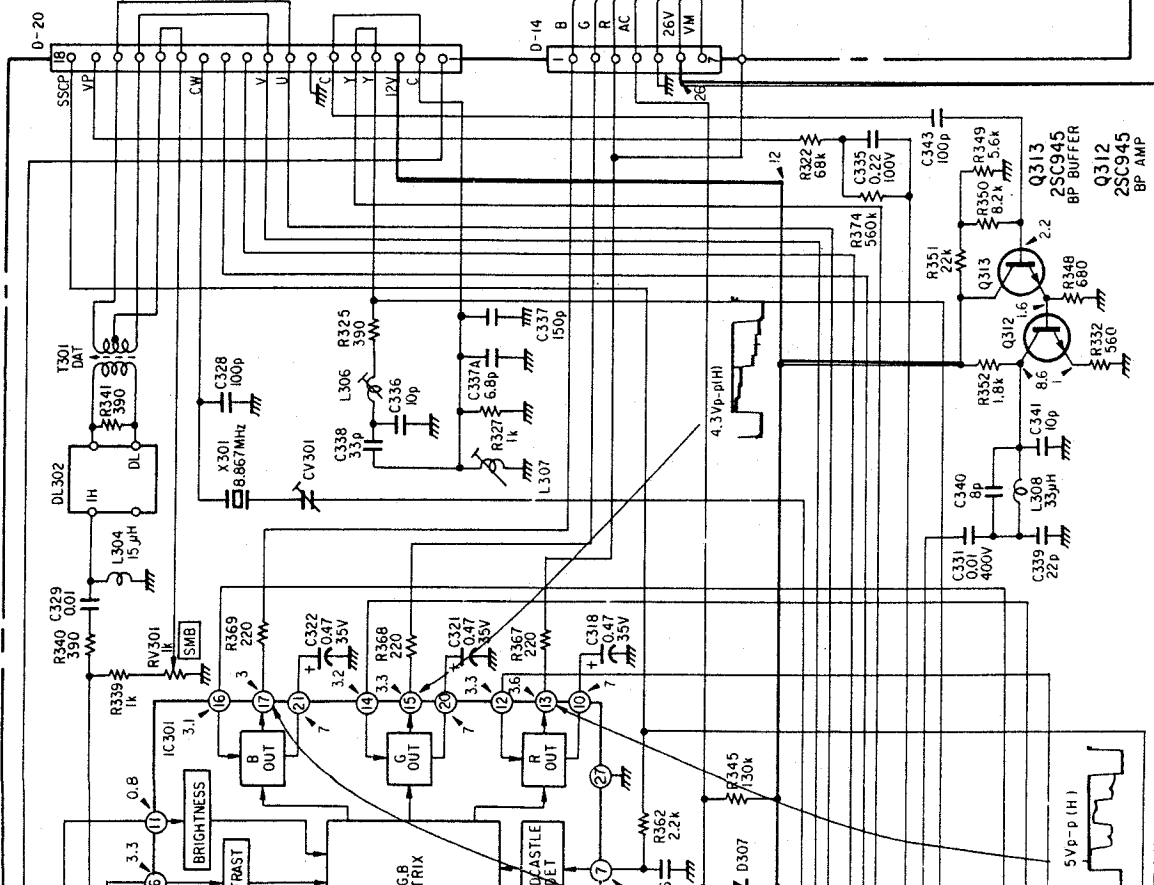
For Service Manuals Contact
MAURITRON TECHNICAL SERVICES
 8 Cherry Tree Rd, Chinnor
 Oxon OX9 4QY
 Tel: 01844-351854 Fax: 01844-352554
 Email: enquiries@mauritron.co.uk

G
 (AUTO CUT,
 VIDEO OUT,
 R.G.B OUT)



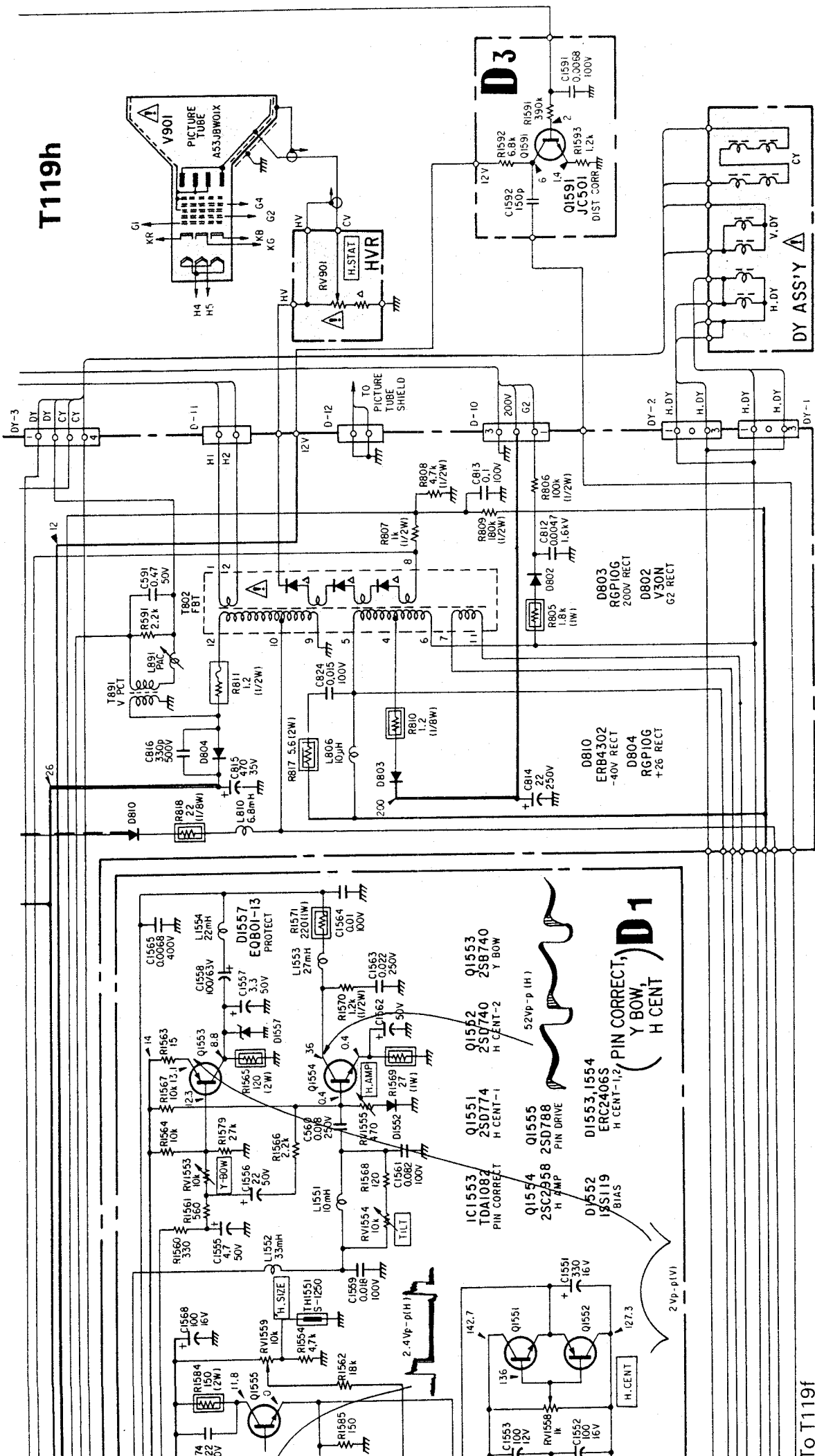
T119g

(T119g) CIRCUIT DIAGRAM—MODELS KV2252 ETC. (PART)



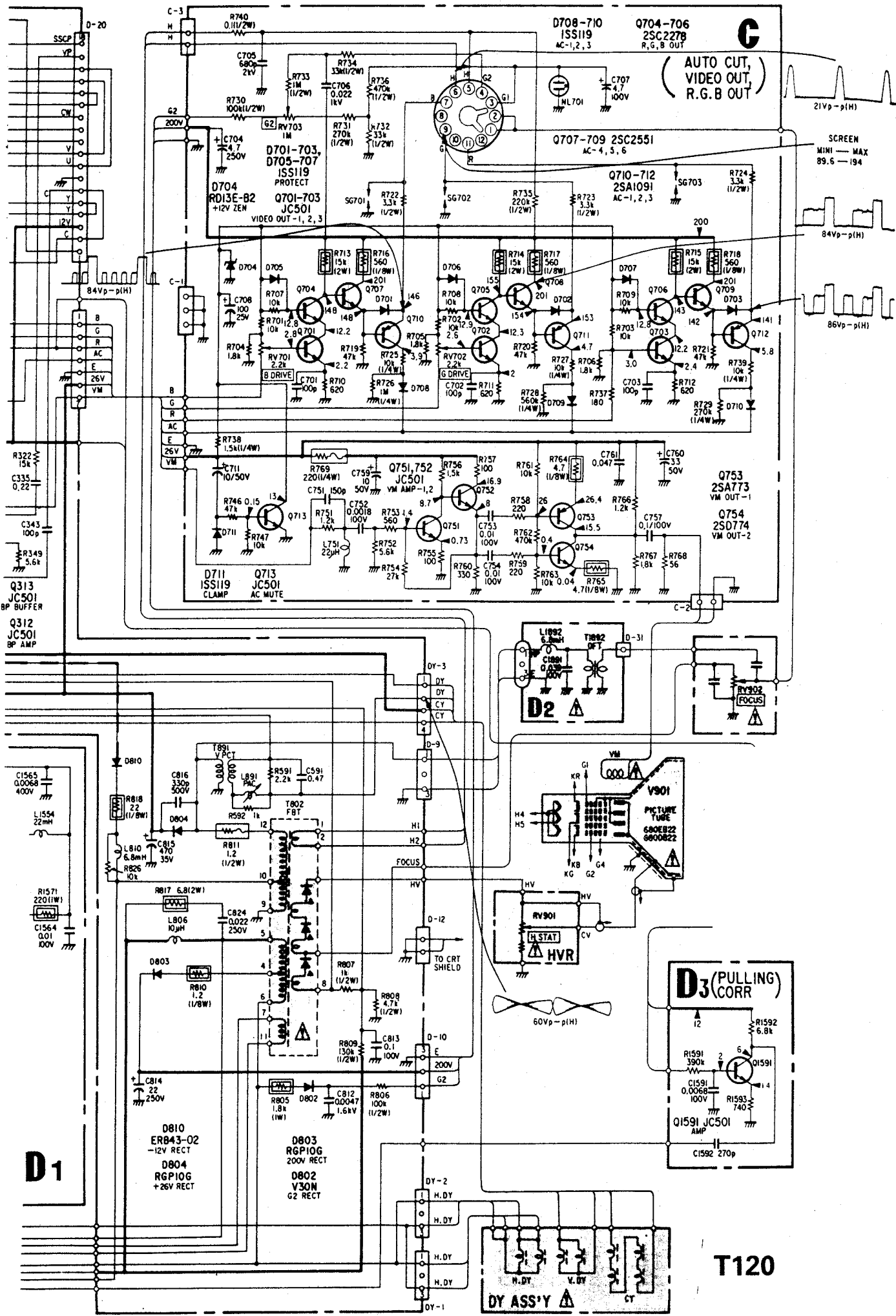
To T119e

T119h



(T119h) CIRCUIT DIAGRAM—MODELS KV2252 ETC. (CONTINUED)

To T119f



(T120) CIRCUIT DIAGRAM (R.G.B. AND LINE STAGES)—MODELS KV2752, 2756