

UNLESS OTHERWISE STATED: DIMENSIONS IN MILLIMETRES; REMOVE BURRS AND SHARP EDGES; ALL CASTINGS AND MOULDINGS TO BE FREE FROM SINKS AND BLEMISHES. DO NOT SCALE DRAWING

1	2	3	4	5	6	7	8
---	---	---	---	---	---	---	---

A

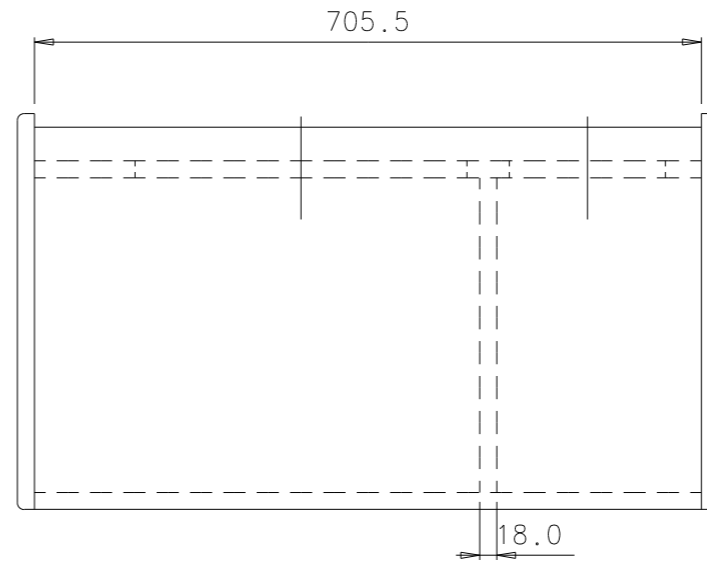
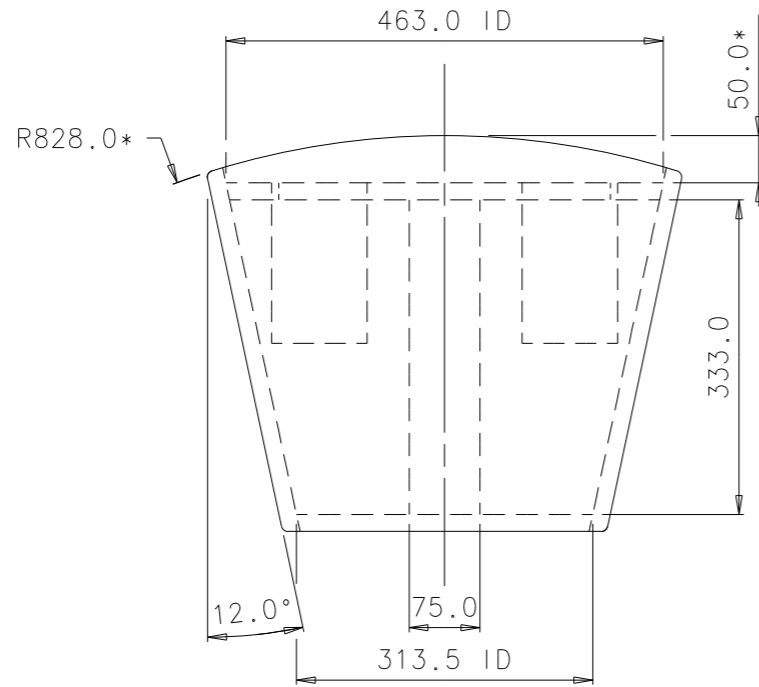
B

C

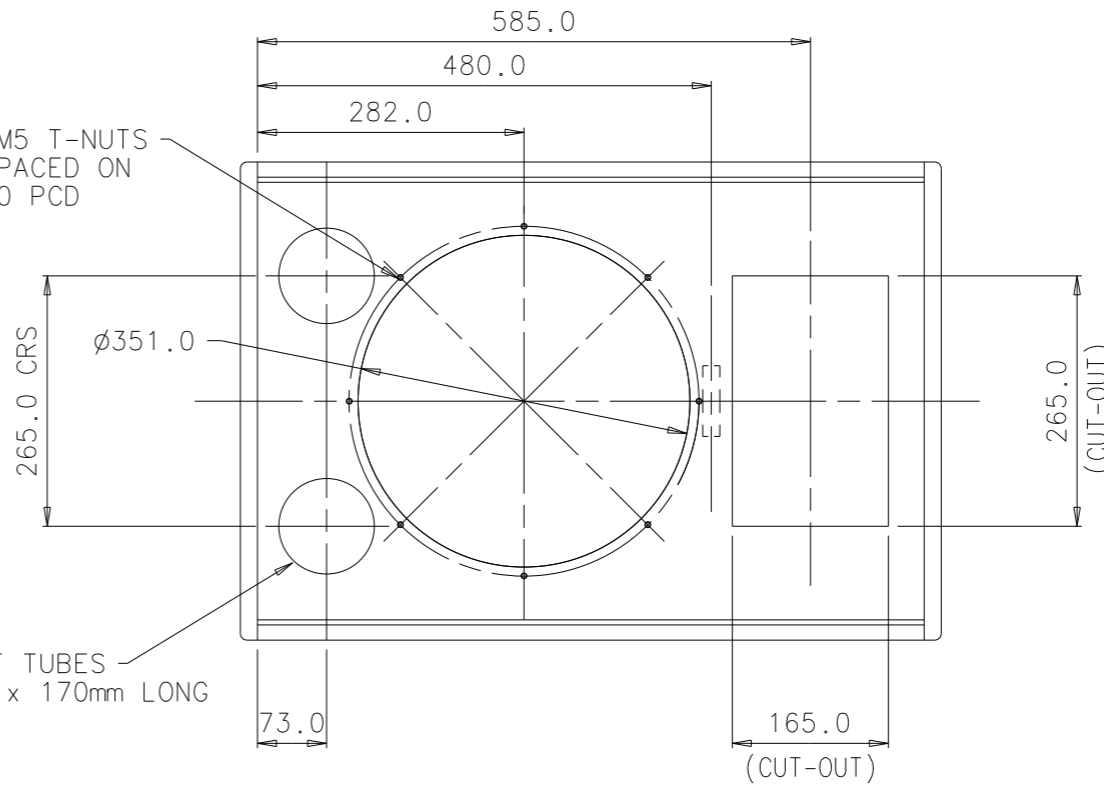
D

E

F



8 OFF M5 T-NUTS  
EQUI-SPACED ON  
A 370.0 PCD



2 OFF PORT TUBES  
Ø101.0 ID x 170mm LONG

NOTES

\* DENOTES DIMENSIONS TO MANUFACTURERS DESIGN

CABINET MATERIAL - 18mm MDF/ 15mm OR 18mm MULTI-LAYER BIRCH PLYWOOD FOR FIXED INSULATION  
15mm OR 18mm MULTI-LAYER BIRCH PLYWOOD FOR PORTABLE APPLICATION

CABINET CONSTRUCTION - JOINTS MUST BE AIRTIGHT AND BE SECURELY  
GLUED & SCREWED TO AVOID UNWANTED VIBRATION.

ACOUSTIC WADDING - COVER THE TOP/BOTTOM/SIDES & REAR PANELS WITH  
ACOUSTIC WADDING, ENSURE THAT THE WADDING DOES  
NOT COVER PORT TUBES

DRIVE UNIT FIXING - T NUTS AND FIXING BOLTS ARE RECOMMENDED. USE A  
SUITABLE GASKET BETWEEN THE DRIVE UNIT & CABINET  
TO PREVENT AIR LEAKS

CELESTION LOUDSPEAKERS - LF = TRUVOX 1525 PART No T5327  
HF = CDX1-1425 PART No T5344  
HORN = H1-9040P PART No T5359

A	I-9930	10/09/03	ISSUED	
ISSUE	CHANGE NUMBER	DATE	REVISION DETAILS	ZONE

GENERAL TOLERANCE:

X.XX ±  
X.X ± 2  
X ±

ANGLES ± °

METRIC THREADS TO BS3643  
FIT 6g TO 6h

MATERIAL:

FINISH:

SIMILAR TO:

**CELESTION**

GP ACOUSTICS (UK) LTD.  
FOXHALL ROAD, IPSWICH, SUFFOLK, IP3 8JP, ENGLAND.  
TEL: +44 (0) 1473 322222 FAX: +44 (0) 1473 729662  
WEB SITE: www.celestion.com

DRAWN

DATE

CHECKED

APPROVED

J.MOTT

10/09/03

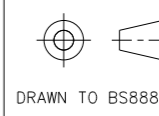
PC

IW

TITLE

SCALE

AT A3 1:8



DRAWN TO BS8888

15" KIT

SHEET 1 OF 2

DRG. No.

GA880